

If you have questions or comments, contact us.
 Pour toute question ou tout commentaire, nous contacter.
 Si tiene dudas o comentarios, contáctenos.
1-800-4-DEWALT • www.dewalt.com

INSTRUCTIVO DE OPERACIÓN, CENTROS DE SERVICIO Y PÓLIZA DE GARANTÍA - ADVERTENCIA: LEÁSE ESTE INSTRUCTIVO ANTES DE USAR EL PRODUCTO.

INSTRUCTION MANUAL
 GUIDE D'UTILISATION
 MANUAL DE INSTRUCCIONES



D25701 1-7/8" (48mm) SDS max™ Hammer, D25730 2" (52mm) SDS max™ Hammer
 D25890 Chipping Hammers
 Marteau SDS max™ D25701 48 mm (1 7/8 po), Marteau SDS max™ D25730 52 mm (2 po)
 Marteau burineur D25890
 Martillos SDS max™ de 48 mm (1-7/8") D25701, Martillo SDS max™ de 52 mm (2") D25730
 Martillos cincelador D25890

DeWALT Industrial Tool Co., 701 Joppa Road, Baltimore, MD 21286
 (JUL05) Form No. 488039-00 D25701, D25730, D25890
 Copyright © 2005 DeWALT

The following are trademarks for one or more DeWALT power tools: the yellow and black color scheme; the "D" shaped air intake grill; the array of pyramids on the handgrip; the kit box configuration; and the array of lozenge-shaped humps on the surface of the tool.

IF YOU HAVE ANY QUESTIONS OR COMMENTS ABOUT THIS OR ANY DEWALT TOOL, CALL US TOLL FREE AT: 1-800-4-DEWALT (1-800-433-9258)

General Safety Rules

WARNING! To reduce risk of injury, user must read instruction manual.

Failure to follow all instructions listed below may result in electric shock, fire and/or serious injury. The term "power tool" in all of the warnings listed below refers to your mains-operated (corded) power tool or battery-operated (cordless) power tool.

SAVE THESE INSTRUCTIONS

1) WORK AREA SAFETY

- a) **Keep work area clean and well lit.** Cluttered or dark areas invite accidents.
- b) **Do not operate power tools in explosive atmospheres, such as in the presence of flammable liquids, gases or dust.** Power tools create sparks which may ignite the dust or fumes.
- c) **Keep children and bystanders away while operating a power tool.** Distractions can cause you to lose control.

2) ELECTRICAL SAFETY

- a) **Power tool plugs must match the outlet. Never modify the plug in any way. Do not use any adapter plugs with earthed (grounded) power tools.** Unmodified plugs and matching outlets will reduce risk of electric shock
- b) **Avoid body contact with earthed or grounded surfaces such as pipes, radiators, ranges and refrigerators.** There is an increased risk of electric shock if your body is earthed or grounded.
- c) **Do not expose power tools to rain or wet conditions.** Water entering a power tool will increase the risk of electric shock
- d) **Do not abuse the cord. Never use the cord for carrying, pulling or unplugging the power tool. Keep cord away from heat, oil, sharp edges or moving parts.** Damaged or entangled cords increase the risk of electric shock. Replace or repair damaged cords. Make sure your extension cord is in good condition. Use only 3-wire extension cords that have 3-prong grounding-type plugs and 3-pole receptacles that accept the tool's plug.
- e) **When operating a power tool outdoors, use an extension cord suitable for outdoor use.** Use of a cord suitable for outdoor use reduces the risk of electric shock. When using an extension cord, be sure to use one heavy enough to carry the current your product will draw. An undersized cord will cause a drop in line voltage resulting in loss of power and overheating. The following table shows the correct size to use depending on cord length and nameplate ampere rating. If in doubt, use the next heavier gage. The smaller the gage number, the heavier the cord.

		Minimum Gage for Cord Sets			
Volts	Total Length of Cord in Feet	0-25	26-50	51-100	101-150
120V		0-25	26-50	51-100	101-150
240V		0-50	51-100	101-200	201-300
Ampere Rating		AWG			
More Than	Not more Than				
0	6	18	16	16	14
6	10	18	16	14	12
10	12	16	16	14	12
12	16	14	12	Not Recommended	

3) PERSONAL SAFETY

- a) **Stay alert, watch what you are doing and use common sense when operating a power tool. Do not use a power tool while you are tired or under the influence of drugs, alcohol or medication.** A moment of inattention while operating power tools may result in serious personal injury.

- b) **Use safety equipment. Always wear eye protection.** Safety equipment such as dust mask, non-skid safety shoes, hard hat, or hearing protection used for appropriate conditions will reduce personal injuries.
 - c) **Avoid accidental starting. Ensure the switch is in the off-position before plugging in.** Carrying power tools with your finger on the switch or plugging in power tools that have the switch on invites accidents.
 - d) **Remove any adjusting key or wrench before turning the power tool on.** A wrench or a key left attached to a rotating part of the power tool may result in personal injury.
 - e) **Do not overreach. Keep proper footing and balance at all times.** This enables better control of the power tool in unexpected situations.
 - f) **Dress properly. Do not wear loose clothing or jewellery. Keep your hair, clothing and gloves away from moving parts.** Loose clothes, jewellery or long hair can be caught in moving parts. Air vents often cover moving parts and should also be avoided.
 - g) **If devices are provided for the connection of dust extraction and collection facilities, ensure these are connected and properly used.** Use of these devices can reduce dust-related hazards.
- 4) POWER TOOL USE AND CARE**
- a) **Do not force the power tool. Use the correct power tool for your application.** The correct power tool will do the job better and safer at the rate for which it was designed.
 - b) **Do not use the power tool if the switch does not turn it on and off.** Any power tool that cannot be controlled with the switch is dangerous and must be repaired.
 - c) **Disconnect the plug from the power source and/or the battery pack from the power tool before making any adjustments, changing accessories, or storing power tools.** Such preventive safety measures reduce the risk of starting the power tool accidentally.
 - d) **Store idle power tools out of the reach of children and do not allow persons unfamiliar with the power tool or these instructions to operate the power tool.** Power tools are dangerous in the hands of untrained users.
 - e) **Maintain power tools. Check for misalignment or binding of moving parts, breakage of parts and any other condition that may affect the power tools operation.** If damaged, have the power tool repaired before use. Many accidents are caused by poorly maintained power tools.
 - f) **Keep cutting tools sharp and clean.** Properly maintained cutting tools with sharp cutting edges are less likely to bind and are easier to control.
 - g) **Use the power tool, accessories and tool bits etc., in accordance with these instructions and in the manner intended for the particular type of power tool, taking into account the working conditions and the work to be performed.** Use of the power tool for operations different from those intended could result in a hazardous situation.

5) SERVICE

- a) **Have your power tool serviced by a qualified repair person using only identical replacement parts.** This will ensure that the safety of the power tool is maintained.

Additional Safety Instructions for Rotary Chisel Hammers

- **Hold power tools by insulated gripping surfaces when performing an operation where the cutting tool may contact hidden wiring or its own cord.** Contact with a "live" wire will make exposed metal parts of the tool "live" and shock the operator.

Be certain that the material being drilled does not conceal electric or gas service and that their locations have been verified with the utility companies.

- **Wear ear protectors.** Exposure to noise can cause hearing loss.
- **Use auxiliary handles supplied with the tool.** Loss of control can cause personal injury.

Keep a firm grip on the tool at all times. Do not attempt to operate this tool without holding it with both hands. Operating this tool with one hand will result in loss of control. Breaking through or encountering hard materials such as re-bar may be hazardous as well. Tighten the side handle securely before use.

- **Wear safety goggles or other eye protection.** Hammering operations cause chips to fly. Flying particles can cause permanent eye damage. Wear a dust mask or respirator for applications that generate dust. Ear protection may be required for most applications.
- **Keep a firm grip on the tool at all times. Do not attempt to operate this tool without holding it with both hands.** It is recommended that the side handle be used at all times. Operating this tool with one hand will result in loss of control. Breaking through or encountering hard materials such as re-bar may be hazardous as well.
- **Do not operate this tool for long periods of time.** Vibration caused by hammer action may be harmful to your hands and arms. Use gloves to provide extra cushion and limit exposure by taking frequent rest periods.
- **Do not recondition bits yourself.** Chisel reconditioning should be done by an authorized specialist. Improperly reconditioned chisels could cause injury.
- **Wear gloves when operating tool or changing bits.** Accessible metal parts on the tool and bits may get extremely hot during operation. Small bits of broken material may damage bare hands.
- **Never lay the tool down until the bit has come to a complete stop.** Moving bits could cause injury.
- **Do not strike jammed bits with a hammer to dislodge them.** Fragments of metal or material chips could dislodge and cause injury.
- **Slightly worn chisels can be resharpened by grinding.**
- **Keep the power cord away from the rotating bit. Do not wrap the cord around any part of your body.** An electric cord wrapped around a spinning bit may cause personal injury and loss of control.

NOTE: Do not overheat the bit (discoloration) while grinding a new edge. Badly worn chisels require regrading. Do not reharden and temper chisels.

CAUTION: Wear appropriate personal hearing protection during use. Under some conditions and duration of use, noise from this product may contribute to hearing loss.
WARNING: Some dust created by power sanding, sawing, grinding, drilling, and other construction activities contains chemicals known to cause cancer, birth defects or other reproductive harm. Some examples of these chemicals are:

- lead from lead-based paints,
- crystalline silica from bricks and cement and other masonry products, and
- arsenic and chromium from chemically-treated lumber (CCA).

Your risk from these exposures varies, depending on how often you do this type of work. To reduce your exposure to these chemicals: work in a well ventilated area, and work with approved safety equipment, such as those dust masks that are specially designed to filter out microscopic particles.

- **Avoid prolonged contact with dust from power sanding, sawing, grinding, drilling, and other construction activities. Wear protective clothing and wash exposed areas with soap and water.** Allowing dust to get into your mouth, eyes, or lay on the skin may promote absorption of harmful chemicals.

WARNING: Use of this tool can generate and/or disperse dust, which may cause serious and permanent respiratory or other injury. Always use NIOSH/OSHA approved respiratory protection appropriate for the dust exposure. Direct particles away from face and body.

- The label on your tool may include the following symbols.

V	volts	A	amperes
Hz	hertz	W	watts
min	minutes	~	alternating current
====	direct current	no	no load speed
□	Class II Construction	./min	revolutions or reciprocation per minute
⊕	earthing terminal	▲	safety alert symbol
BPM	beats per minute		

SAVE THESE INSTRUCTIONS FOR FUTURE USE

Motor

Your tool is powered by a DeWALT built motor designed to be used with alternating current. Voltage decrease of more than 10% will cause loss of power and overheating. All DeWALT tools are factory tested; if this tool does not operate, check the power supply.

Components (Fig. 1)

- A. Trigger switch
- B. Lock-on slider
- C. Side handle
- D. Main handle
- E. Active vibration control
- F. Mode selector
- G. Electronic Speed and impact control dial
- H. Clamp knob
- I. Rear side handle position

Side Handle (Fig. 3)

CAUTION: Always operate the tool with the side handle properly assembled. Hold tool with both hands to maximize control.

The side handle clamps to the front barrel (collar) and may be rotated 360° to permit right- or left-hand use. For operating convenience, the side handle can be installed in front or rear positions.

TO MOUNT IN FRONT POSITION (FIG. 3)

1. Unscrew the side handle (C) and disassemble the side handle clamp (J).
2. Snap the steel ring (K) over the collar (L) behind the tool holder (M). Squeeze both ends of the steel ring together. Mount the bushing (N) and insert the pin (O).
3. Slide the side handle clamp (J) and bushing into the clamp knob (H) – do not tighten.
4. Screw the side handle into the clamp knob (H) and tighten.
5. Rotate the side handle mounting assembly to the desired position. For drilling horizontally with a heavy drill bit, place the side handle assembly at an angle of approximately 20° to the tool for optimum control.
6. Lock the side handle mounting assembly in place by tightening the clamp knob (H).

TO MOUNT IN REAR POSITION (FIG. 3)

1. Unscrew the side handle (C) and remove it from the side handle mounting assembly. Leave the side handle mounting assembly in the front position.
2. Screw the side handle directly into one of the rear side handle positions (I) on either side of the tool.

Active Vibration Control (Fig. 1)

For best vibration control, hold the tool with one hand on the main handle (D) and the other hand on the side handle (C). Apply just enough pressure so the hammer is approximately mid-stroke. The hammer only needs enough pressure to engage the active vibration control. Applying too much pressure will not make the tool drill or chip faster and active vibration control will not engage.

Inserting and Removing SDS max™ Accessories (Fig. 3)

CAUTION: TURN OFF TOOL AND DISCONNECT FROM POWER SUPPLY.

1. Pull back the locking sleeve (P) and insert the bit shank. The bit shank must be clean and slightly lubricated.
2. Turn the bit slightly until the sleeve snaps back into position.
3. Ensure the bit is properly engaged.

NOTE: The bit needs to move several centimeters in and out of the tool holder (M) when properly engaged.

4. To remove the bit, pull back the locking sleeve and pull the bit out.

Complete Torque Control (Fig. 4)

CAUTION: Always turn the tool off before changing torque control settings or damage to tool may result.

The Complete Torque Control (CTC) feature of this tool is designed to provide additional control by providing a two-stage clutch mechanism.

Clutch setting #1 (Q) is designed for most drilling applications and is designed to easily clutch out when the drill bit encounters re-bar or other foreign substances.

Clutch setting #2 (R) is designed for higher torque applications such as core-bits and deep hole drilling.

NOTE: Allow the motor housing to rotate a little while changing torque.

Each time the tool is plugged in, it will automatically default to clutch setting #1, the most sensitive setting.

Electronic Speed and Impact Control (Fig. 4)

The electronic speed and impact control allows the use of smaller drill bits without the risk of bit breakage, drilling into light and brittle materials without shattering and optimal tool control for precise chiseling.

To set the control dial, turn the dial (G) to the desired level. The higher the number, the greater the speed and impact energy. Dial settings make the tool extremely flexible and adaptable for many different applications. The required setting depends on the bit size and hardness of material being drilled.

Mode Selector (Fig. 1)

CAUTION: Never change the mode while the unit is running.

CAUTION: Do not change to hammerdrill mode with chisel bit in tool holder. Personal injury and damage to tool may result.

The D25701 and D25730 use two operating modes. To select the required operating mode, rotate the mode selector (F) until the arrow points to the hammerdrilling or the chipping icon. The D25890 uses only the chipping mode.

HAMMERDRILLING MODE (T)

The tool simultaneously rotates and impacts the work. This mode is appropriate for all concrete and masonry operations.

CHIPPING MODE (T)

The spindle lock is engaged during chipping mode so the tool impacts the work without rotating. This mode is appropriate for light chipping, chiseling and demolition applications.

NOTE: In chipping mode, the hammerdrill can also be used as a lever to free a jammed drill bit.

CHISEL BIT ADJUSTMENT (O)

Turn the mode selector to one of the chisel bit adjustment icons to adjust the chisel to the desired position. There are 24 possible positions to set the angle of the chisel. After finding the desired position, slightly maneuver the chisel bit back and forth to ensure the chisel is properly engaged.

Power Indicator Lights (Fig. 4)

The red LED light (S) indicates a serious problem and the tool should be taken to a DeWALT authorized service center for repair.

The yellow LED light (T) indicates when brushes are nearly worn and the tool needs servicing. After approximately 8 hours of use, the motor will automatically shut off. The tool should be taken to a DeWALT authorized service center for routine inspection and maintenance.

OPERATION

NOTE: Operating temperature of this tool is 19° to 104° F (-7 to +40° C). Using the tool outside of this temperature range will decrease the life of the tool.

Switch (Fig. 1)

To turn the tool on, depress the trigger switch (A). To stop the tool, release the trigger switch. To lock the trigger switch on, push the lock-on slider (B) upwards while depressing the trigger switch.

To deactivate the lock-on slider, depress the trigger switch once then release.

The lock-on slider may only be activated in chisel mode. The machine will stop running when trying to engage the lock-on slider in drill mode. The motor will stop if the lock-on slider is activated when changing from chisel mode into drill mode.

SOFT START FEATURE

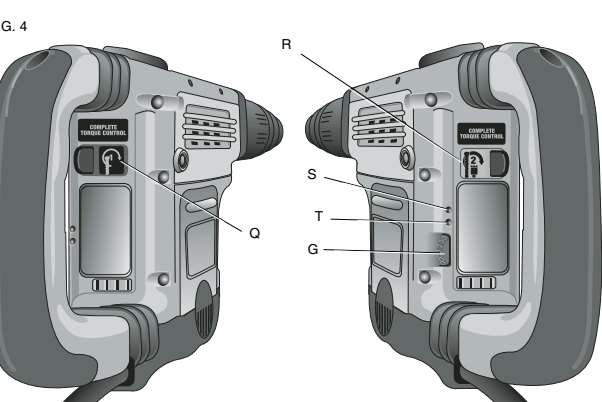
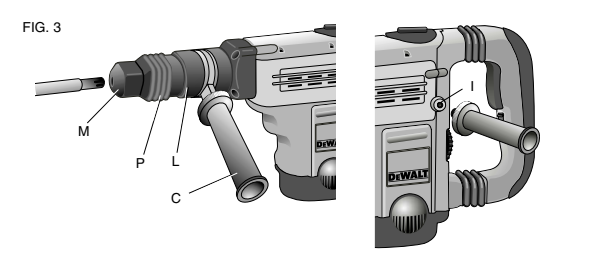
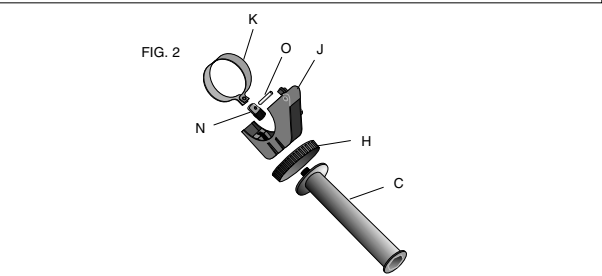
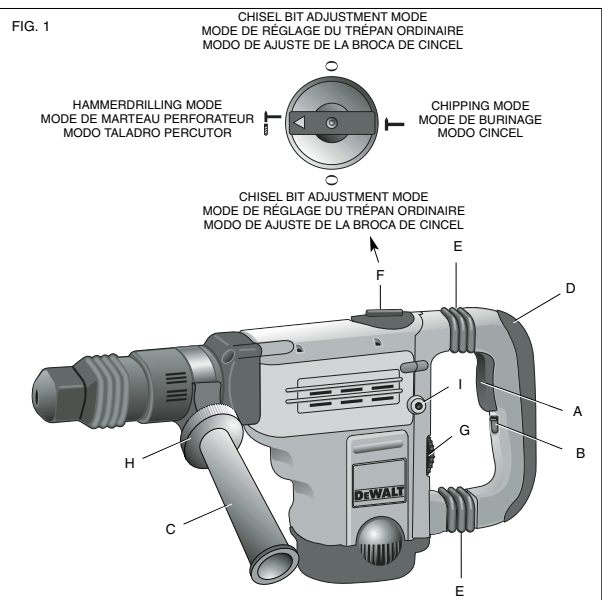
The soft start feature allows you to build up speed slowly, thus preventing the drill bit from walking off the intended hole position when starting. The soft start feature also reduces the immediate torque reaction transmitted to the gearing and the operator if the hammer is started with the drill bit in an existing hole.

Drilling (D25701, D25730)

NOTE: The D25890 has only chipping mode with no drilling capability.

DRILLING WITH A SOLID BIT

1. Set the model selector to hammerdrilling mode.



2. Move the torque control lever to Setting 1 (Q).
3. Set the speed and impact control dial.
4. Insert the appropriate drill bit.
5. Adjust the side handle (front or rear position).
6. Mark the spot where the hole is to be drilled.
7. Place the drill bit on that mark and depress the trigger switch.
8. Apply only enough pressure to engage active vibration control (refer to Active Vibration Control).
9. To stop the tool, release the trigger switch. Always turn the tool off when work is finished and before unplugging.

DRILLING WITH A CORE BIT

CAUTION: Do not use a core bit for drilling wood. Personal injury and damage to tool may result.

1. Set the model selector to hammerdrilling mode.
 2. Move the torque control lever to Setting 2 (R).
 3. Turn the speed and impact control dial to the maximum torque position.
 4. Adjust the side handle (front or rear position).
 5. Assemble the centering bit and adapter shank into core bit.
 6. Mark the spot where the hole is to be drilled.
 7. Place the centering bit on that mark and depress the trigger switch.
- NOTE:** Some core drills require the removal of centering bit after about 1cm of penetration. If so, remove and continue drilling.
8. When drilling through a structure thicker than the depth of the core bit, break away the round cylinder of concrete or core inside the bit at regular intervals. To avoid unwanted breaking away of concrete around the hole, first drill a hole the diameter of the centering bit completely through the structure. Then drill the cored hole halfway from each side of the structure.

9. To stop the tool, release the trigger switch. Always turn the tool off when work is finished and before unplugging.

Chipping and Chiseling (D25701, D25730, D25890)

1. Set the model selector to chipping mode.
2. Set the impact control dial to desired setting (refer to **Electronic Speed and Impact Control**).
3. Insert the appropriate chisel and rotate it by hand to lock it into the desired position.
NOTE: For SDS max models, only use SDS max insert tools.
4. Adjust the side handle (front or rear position).
5. Depress the trigger switch.
6. Apply only enough pressure to engage active vibration control (refer to **Active Vibration Control**).
7. To stop the tool, release the trigger switch. Always turn the tool off when work is finished and before unplugging.

MAINTENANCE

Cleaning

CAUTION: Never use solvents or other harsh chemicals for cleaning the non-metallic parts of the tool. These chemicals may weaken the plastic materials used in these parts. Use a cloth dampened only with water and mild soap.

Accessories

Recommended accessories for use with your tool are available at extra cost from your local dealer or authorized service center. If you need assistance in locating any accessory, please contact DeWALT Industrial Tool Co., 701 East Joppa Road, Baltimore, MD 21286, call 1-800-4-DeWALT (1-800-433-9258) or visit our website www.dewalt.com.

CAUTION: The use of any other accessory not recommended for use with this tool could be hazardous.

	MAXIMUM CAPACITY		
	D25701	D25730	D25890
Concrete	1-7/8" (48mm)	2" (52mm)	—
RPM	137-275	125-250	—
No load BPM	1260-2520	1150-2300	1150-2300

Repairs

To assure product SAFETY and RELIABILITY, repairs, maintenance and adjustments (including brush inspection and replacement) should be performed by a DeWALT factory service center, a DeWALT authorized service center or other qualified service personnel. Always use identical replacement parts.

Three Year Limited Warranty

DeWALT will repair, without charge, any defects due to faulty materials or workmanship for three years from the date of purchase. This warranty does not cover part failure due to normal wear or tool abuse. For further detail of warranty coverage and warranty repair information, visit www.dewalt.com or call 1-800-4-DeWALT (1-800-433-9258). This warranty does not apply to accessories or damage caused where repairs have been made or attempted by others. This warranty gives you specific legal rights and you may have other rights which vary in certain states or provinces.

In addition to the warranty, DeWALT tools are covered by our:

2 YEARS FREE SERVICE

DeWALT will maintain the tool and replace worn parts caused by normal use, for free, any time during the first two years after purchase.

90 DAY MONEY BACK GUARANTEE

If you are not completely satisfied with the performance of your DeWALT Power Tool, Laser, or Nailer for any reason, you can return it within 90 days from the date of purchase with a receipt for a full refund – no questions asked.

RECONDITIONED PRODUCT: Reconditioned product is covered under the 1 Year Free Service Warranty. The 90 Day Money Back Guarantee and the Three Year Limited Warranty do not apply to reconditioned product.

FREE WARNING LABEL REPLACEMENT: If your warning labels become illegible or are missing, call 1-800-4-DeWALT for a free replacement.



POUR TOUT RENSEIGNEMENT SUPPLÉMENTAIRE SUR CET OUTIL OU TOUT AUTRE OUTIL DEWALT, COMPOSER SANS FRAIS LE NUMÉRO : 1-800-4-DeWALT (1-800-433-9258)

Règles de sécurité – Généralités

AVERTISSEMENT ! Afin de réduire le risque de blessures, l'utilisateur doit lire le mode d'emploi.

Tout manquement aux directives suivantes pose des risques de choc électrique, d'incendie et/ou de blessure grave. Le terme « outil électrique » dans tous les avertissements ci-après se rapporte à votre outil électrique à alimentation sur secteur (avec fil) ou par piles (sans fil).

CONSERVER CES DIRECTIVES

1) SÉCURITÉ - AIRE DE TRAVAIL

- Maintenir l'aire de travail propre et bien éclairée.** Les lieux encombrés ou sombres sont propices aux accidents.
- Ne pas faire fonctionner un outil électrique dans une atmosphère explosive, en présence par exemple de poussières, gaz ou liquides inflammables.** Les outils électriques peuvent engendrer des étincelles qui pourraient enflammer toute émanation ou poussière ambiante.
- Tenir les enfants, ou toute autre personne, éloignés pendant l'utilisation d'un outil électrique.** Toute distraction pourrait vous faire perdre la maîtrise de ce dernier.

2) SÉCURITÉ – ÉLECTRICITÉ

- La fiche électrique de l'outil doit correspondre à la prise murale. Ne jamais modifier la fiche en aucune façon. Ne jamais utiliser de fiche d'adaptation avec un outil électrique mis à la terre.** L'utilisation de fiches d'origine et de prises appropriées réduira les risques de choc électrique.

- Éviter tout contact corporel avec des éléments mis à la terre comme tuyaux, radiateurs, cuisinières ou réfrigérateurs.** Les risques de choc électrique augmentent lorsque le corps est mis à la terre.
- Ne pas exposer les outils électriques à la pluie ou à l'humidité.** Toute pénétration d'un outil électrique par un liquide augmente les risques de choc électrique.
- Ne pas utiliser le cordon de façon abusive. Ne jamais utiliser le cordon pour transporter, tirer ou débrancher un outil électrique. Protéger le cordon de la chaleur, de l'huile et de tout bord tranchant ou pièce mobile.** Les cordons endommagés ou emmêlés augmentent les risques de choc électrique. Remplacer ou faire réparer tout cordon endommagé. S'assurer que la rallonge est en bon état. N'utiliser que des rallonges trifilaires munies de fiches tripolaires et des prises tripolaires acceptant la fiche de l'outil.
- Lors de l'utilisation d'un outil électrique à l'extérieur, n'utiliser que des rallonges conçues pour l'extérieur.** L'utilisation d'une rallonge conçue pour l'extérieur réduit les risques de choc électrique. En cas d'utilisation d'une rallonge, s'assurer que les valeurs nominales de la rallonge utilisée correspondent bien à celles de l'outil alimenté. L'usage d'une rallonge de calibre insuffisant causera une chute de tension entraînant perte de puissance et surchauffe. Le tableau ci-dessous illustre les calibres à utiliser selon la longueur de rallonge et l'intensité nominale indiquée sur la plaque signalétique. En cas de doutes, utiliser le calibre suivant. Plus le calibre est petit, plus la rallonge peut supporter de courant.

Tension	Calibre minimal des cordons de longueur totale du cordon en mètres			
	De 0 à 7	De 7 à 15	De 15 à 30	De 30 à 45
120 V	De 0 à 7	De 7 à 15	De 15 à 30	De 30 à 45
240 V	De 0 à 7	De 7 à 15	De 15 à 39	De 30 à 45

Intensité (A)	Calibre moyen de fil			
	Au moins	Au plus		
0 - 6	18	16	16	14
6 - 10	18	16	14	12
10 - 12	16	16	14	12
12 - 16	14	12	Non recommandé	

3) SÉCURITÉ PERSONNELLE

- Rester vigilant en tout temps et faire preuve de jugement pendant l'utilisation d'un outil électrique. Ne pas utiliser d'outil électrique en cas de fatigue ou sous l'influence de drogues, d'alcool ou de médicaments.** Tout moment d'inattention pendant l'utilisation d'un outil électrique pose des risques de blessure grave.
- Utiliser le matériel de sécurité approprié. Toujours porter des lunettes de protection.** Le fait de porter un masque anti-poussières, des chaussures antidérapantes, un casque de sécurité ou des protecteurs auditifs lorsque la situation le requiert réduira les risques de blessure.
- Éviter tout démarrage accidentel. S'assurer que l'interrupteur est en position d'arrêt avant tout branchement.** Transporter un outil le doigt sur l'interrupteur ou brancher un outil électrique alors que l'interrupteur est en position de marche invite les accidents.
- Retirer toute clé de réglage avant de démarrer l'outil.** Une clé laissée sur une pièce rotative d'un outil électrique pose des risques de blessure.
- Ne pas effectuer de travaux hors de portée. Les pieds doivent rester bien ancrés au sol afin de maintenir son équilibre en tout temps.** Cela permet de mieux maîtriser l'outil électrique dans les situations imprévues.
- Porter des vêtements appropriés. Ne pas porter de vêtements amples ni de bijoux.** Maintenir cheveux, vêtements et gants éloignés des pièces mobiles. Vêtements amples, bijoux ou cheveux longs risquent de rester coincés dans ces pièces mobiles. Prendre des précautions autour des événements car ils recouvrent des pièces mobiles.
- Lorsque un dispositif de connexion à un système de dépoussiérage ou d'élimination est fourni, s'assurer qu'il est connecté et utilisé correctement.** L'utilisation de ces dispositifs peut réduire les risques engendrés par les poussières.

4) UTILISATION ET ENTRETIEN DES OUTILS ÉLECTRIQUES

- Ne pas forcer un outil électrique. Utiliser l'outil approprié au travail en cours.** L'outil approprié effectuera un meilleur travail, de façon plus sûre et à la vitesse pour laquelle il a été conçu.
- Ne pas utiliser un outil électrique dont l'interrupteur est défectueux.** Tout appareil dont l'interrupteur est défectueux est dangereux et doit être réparé.
- Débrancher la fiche du secteur et/ou le bloc-piles de l'outil électrique avant de faire tout réglage ou changement d'accessoire, ou avant de ranger ce dernier.** Ces mesures préventives réduisent les risques de démarrage accidentel de l'appareil.
- Après usage, ranger les outils électriques hors de la portée des enfants, et ne permettre à aucune personne n'étant pas familière avec un outil électrique (ou son manuel d'instruction) d'utiliser ce dernier.** Les outils peuvent être dangereux entre les mains des novices.
- Entretenir les outils électriques. Vérifier les pièces mobiles pour s'assurer qu'elles sont bien alignées et tournent librement, qu'elles sont en bon état et ne sont affectées d'aucune condition susceptible de nuire au bon fonctionnement de l'outil.** En cas de dommage, faire réparer l'outil électrique avant toute nouvelle utilisation. Bien des accidents sont causés par des outils mal entretenus.
- Maintenir tout outil de coupe bien aiguisé et propre.** Les outils de coupe bien entretenus et affûtés sont moins susceptibles de se coincer et sont plus faciles à contrôler.
- Utiliser un outil électrique, ses accessoires, mèches, etc., conformément aux présentes directives et suivant la manière prévue pour ce type particulier d'outil électrique, en tenant compte des conditions de travail et du travail à effectuer.** L'utilisation d'un outil électrique pour toute opération autre que celle pour laquelle il a été conçu est dangereuse.

5) SERVICE

- Faire entretenir les outils électriques par un réparateur qualifié en n'utilisant que des pièces de rechange identiques.** Cela permettra d'assurer l'intégrité de l'outil électrique et la sécurité de l'utilisateur.

Directives de sécurité supplémentaires pour les marteaux-piqueurs à percussion

- Tenir l'outil par sa surface de prise isolée dans une situation où l'outil de coupe peut entrer en contact avec un câblage caché ou avec son propre cordon d'alimentation.** Tout contact avec un fil « sous tension » mettra « sous tension » les pièces métalliques de l'outil et causera un choc électrique à l'opérateur de l'outil.

S'assurer que le matériau percé ne cache pas de conduite électrique ou de gaz et que leur emplacement a été vérifié avec les entreprises de services publics.

- Porter des protecteurs d'oreilles.** Une exposition au bruit peut entraîner une perte auditive.
- Utiliser les poignées auxiliaires fournies avec l'outil.** Une perte de maîtrise de l'outil peut entraîner des blessures.

Tenir fermement l'outil en tout temps. Ne pas tenter de faire fonctionner cet outil sans le tenir des deux mains. Faire fonctionner cet outil d'une seule main risque de provoquer la perte de maîtrise de l'outil. Il peut aussi être dangereux de percer ou de tomber sur des matériaux durs comme une barre d'armature. Bien serrer la poignée latérale avant d'utiliser l'outil.

- Porter des lunettes de sécurité ou une protection oculaire.** Les opérations de percussion peuvent projeter les copeaux. Les particules projetées peuvent provoquer un endommagement irréversible des yeux. Porter un masque antipoussières ou un appareil respiratoire. La plupart des applications peuvent demander l'utilisation d'un dispositif de protection des oreilles.
- Tenir fermement l'outil en tout temps. Ne pas tenter de faire fonctionner cet outil sans le tenir des deux mains.** Il est recommandé d'utiliser en tout temps la poignée latérale. Faire fonctionner cet outil d'une seule main risque de provoquer la perte de maîtrise de l'outil. Il peut aussi être dangereux de percer ou de tomber sur des matériaux durs comme une barre d'armature.
- Ne pas faire fonctionner cet outil durant de longues périodes.** Les vibrations causées par la percussion du marteau peut être nuisible pour vos mains et vos bras. Utiliser des gants pour amortir davantage les vibrations et limiter l'exposition à l'outil par de fréquentes périodes de repos.

- **Ne pas remettre à neuf les mèches vous-même.** La remise à neuf du burin doit être réalisée par un spécialiste autorisé. Les burins mal remis à neuf peuvent causer des blessures.
- **Porter des gants pour utiliser l'outil ou pour changer les mèches.** Les pièces métalliques accessibles de l'outil et les mèches peuvent devenir extrêmement chaudes durant le fonctionnement de l'outil. De petits morceaux de matériau qui se détachent peuvent endommager les mains nues.
- **Ne jamais déposer l'outil tant que la mèche ne s'est pas complètement arrêtée.** Les mèches mobiles peuvent provoquer des blessures.
- **Ne pas frapper sur les mèches coincées avec un marteau pour les déloger.** Des fragments de métal ou des copeaux de matériau risquent de se déloger et de causer des blessures.
- **Les burins légèrement usés peuvent être réaffûtés par le meulage.**
- **Tenir éloigné le cordon d'alimentation de la mèche rotative. Ne pas enrouler le cordon autour de toute partie du corps.** Un cordon d'alimentation enroulé autour d'une mèche rotative risque de causer des blessures corporelles et une perte de maîtrise de l'outil.

REMARQUE : Ne pas surchauffer la mèche (décoloration) durant le meulage d'un nouveau tranchant. Les burins mal usés demandent à être de nouveau forgés. Ne pas durcir ni ne faire revenir les burins

⚠ **MISE EN GARDE :** Porter un appareil de protection personnel anti-bruit approprié durant l'utilisation. Sous certaines conditions et pendant toute la durée de l'utilisation, le bruit émanant de ce produit pourrait contribuer à la perte d'audition.

⚠ **AVERTISSEMENT :** Certains outils électriques, tels que les sableuses, les scies, les meules, les perceuses ou certains autres outils de construction, peuvent produire de la poussière contenant des produits chimiques susceptibles d'entraîner le cancer, des malformations congénitales ou pouvant être nocifs pour le système reproductif. Parmi ces produits chimiques, on retrouve :

- le plomb dans les peintures à base de plomb,
- la silice cristalline dans les briques et le ciment et autres produits de maçonnerie,
- l'arsenic et le chrome dans le bois de sciage ayant subi un traitement chimique (comme l'arséniate de cuivre et de chrome).

Le risque associé à de telles expositions varie selon la fréquence avec laquelle on effectue ces travaux. Pour réduire l'exposition à de tels produits, il faut travailler dans un endroit bien aéré et utiliser le matériel de sécurité approprié, tel un masque anti-poussières spécialement conçu pour filtrer les particules microscopiques.

• Éviter tout contact prolongé avec la poussière soulevée par cet outil ou autres outils électriques. Porter des vêtements de protection et nettoyer les parties exposées du corps à l'eau savonneuse. S'assurer de bien se protéger afin d'éviter d'absorber par la bouche, les yeux ou la peau des produits chimiques nocifs.

⚠ **AVERTISSEMENT :** Cet outil peut produire et répandre de la poussière susceptible de causer des dommages sérieux et permanents au système respiratoire. Toujours utiliser un appareil respiratoire anti-poussières approprié approuvé par le NIOSH ou l'OSHA. Diriger les particules dans le sens opposé du visage et du corps.

• L'étiquette apposée sur l'outil peut afficher les symboles suivants. Ces symboles et leurs définitions sont les suivants :

V	volts	A	ampères
Hz	hertz	W	watts
min	minutes	~	courant alternatif
====courant continu	∅	aucune option à vide
☐	construction de classe II	1/min	tours par minute
⊕	borne de terre	⚠	symbole d'avertissement
BPM	Coup par minute		

CONSERVER CES DIRECTIVES POUR UN USAGE ULTÉRIEUR

Moteur

Votre outil est animé par un moteur construit par DeWALT conçu pour être utilisé avec un courant alternatif. Une diminution de tension de plus de 10 pour cent causera une perte de puissance et une surchauffe. Tous les outils DeWALT sont testés en usine; si cet outil ne fonctionne pas, vérifier l'alimentation électrique.

Composants (fig. 1)

- | | |
|--|---|
| A. Détenante | F. Sélecteur de mode |
| B. Interrupteur coulissant de verrouillage | G. Sélecteur rotatif électronique de vitesse et de percussion |
| C. Poignée latérale | H. Bouton de serrage |
| D. Poignée principale | I. Position de la poignée latérale arrière |
| E. Correcteur antivibrations actif | |

Poignée latérale (fig. 3)

⚠ **MISE EN GARDE :** Toujours faire fonctionner l'outil alors que la poignée latérale est bien montée. Tenir l'outil des deux mains pour obtenir une plus grande maîtrise de l'outil.

La poignée latérale se fixe au corps avant (collier) et peut être tournée à 360° pour permettre une utilisation de la main droite ou gauche. Pour plus de commodité dans l'utilisation de l'outil, la poignée latérale peut être installée en position avant ou arrière.

MONTAGE DE LA POIGNÉE EN POSITION AVANT (FIG. 3)

1. Dévisser la poignée latérale (C) et démonter la bride (J) de la poignée.
2. Enclencher l'anneau métallique (K) sur le collet (L) derrière le porte-outil (M). Serrer ensemble les deux extrémités de l'anneau métallique. Monter la bague (N), puis insérer la broche (O).
3. Glisser la bride (J) et la bague de la poignée latérale dans le bouton de serrage (H) – ne pas serrer.
4. Visser la poignée latérale dans le bouton de serrage (H), puis serrer.
5. Tourner l'ensemble de montage de la poignée latérale à la position voulue. Pour le perçage horizontal avec une mèche lourde, mettre l'ensemble de poignée latérale à un angle d'environ 20° de l'outil, pour obtenir une maîtrise maximale.
6. Verrouiller en place l'ensemble de montage de la poignée latérale en serrant le bouton de serrage (H).

MONTAGE DE LA POIGNÉE EN POSITION ARRIÈRE (FIG. 3)

1. Dévisser la poignée latérale (C) et la retirer de l'ensemble de montage. Laisser l'ensemble de montage de la poignée latérale en position avant.
2. Visser la poignée latérale directement dans une des positions (I) arrière de la poignée latérale, sur l'un ou l'autre côté de l'outil.

Correcteur antivibrations actif (fig. 1)

Pour corriger au maximum les vibrations, tenir l'outil en mettant une main sur la poignée latérale (D) et l'autre main sur la poignée latérale (C). Appliquer tout juste suffisamment de pression pour que le marteau soit environ à mi-course. Il faut seulement assez de pression pour engager le correcteur antivibrations actif. Trop de pression n'accéléra pas le perçage ni le burinage de l'outil et le correcteur antivibrations actif ne s'engagera pas.

Insertion et dépôt des accessoires SDS max™ (fig. 3)

- ⚠ **MISE EN GARDE :** ÉTEINDRE L'OUTIL ET LE DÉBRANCHER.
1. Reculer le manchon de verrouillage (P), puis insérer la tige de la mèche. La tige de la mèche doit être propre et légèrement lubrifiée.
 2. Tourner légèrement la mèche de manière à ce que le manchon retourne en position.
 3. S'assurer que la mèche est bien engagée.
- REMARQUE :** Lorsqu'elle est bien engagée, la mèche doit se déplacer de plusieurs centimètres à l'intérieur et à l'extérieur du porte-outil (M).
4. Pour enlever la mèche, reculer le manchon de verrouillage, puis retirer la mèche.

Correcteur de couple complet (fig. 4)

⚠ **MISE EN GARDE :** Toujours éteindre l'outil avant de changer les réglages du correcteur de couple, sinon l'outil risque d'être endommagé.

La fonction correcteur de couple complet de cet outil est conçue pour assurer une plus grande maîtrise au moyen d'un mécanisme d'embrayage à deux phases.

Le réglage d'embrayage n° 1 (Q) convient à la plupart des applications de perçage et il est conçu pour débrayer lorsque la mèche entre en contact avec une barre d'armature ou tout autre matériau étranger.

Le réglage d'embrayage n° 2 (R) convient aux applications de couple élevé comme les trépan carottiers ou le perçage profond.

REMARQUE : Laisser le boîtier du moteur tourner un peu durant le changement de couple.

À chaque fois que l'outil est branché, le réglage d'embrayage par défaut est le réglage no 1 qui est le plus sensible.

Réglage électronique de vitesse et de percussion (fig. 4)

Le réglage électronique de vitesse et de percussion permet d'utiliser des mèches plus petites sans risquer de les briser, de percer dans des matériaux légers et cassants sans qu'ils ne soient broyés et d'assurer une maîtrise optimale de l'outil pour un burinage précis.

Pour régler le sélecteur rotatif (G), le tourner au niveau voulu. Plus le chiffre est élevé, plus la vitesse et l'énergie de percussion seront élevées. Les réglages du sélecteur rendent l'outil extrêmement flexible et adaptable pour de nombreuses applications différentes. Le réglage requis dépend de la taille de la mèche et de la dureté du matériau à percer.

Sélecteur de mode (fig. 1)

⚠ **MISE EN GARDE :** Ne jamais changer de mode lorsque l'outil fonctionne.

⚠ **MISE EN GARDE :** Ne pas changer le mode de marteau perforateur lorsque le trépan ordinaire est dans le porte-outil. Des blessures corporelles et dommages à l'outil peuvent en résulter.

Les outils D25701 et D25730 utilisent deux modes de fonctionnement. Pour sélectionner le mode de fonctionnement requis, tourner le sélecteur de mode (F) de manière à ce que la flèche pointe vers le symbole de marteau perforateur ou de burineur. Le D25890 utilise uniquement le mode de burinage.

MODE DE MARTEAU PERFORATEUR (M)

L'outil tourne simultanément et percute la pièce. Ce mode convient pour les applications de béton et de maçonnerie.

MODE DE BURINAGE (T)

Le dispositif de verrouillage de la broche est engagé durant le mode de burinage de manière à ce que l'outil percute la pièce sans tourner. Ce mode convient aux applications légères de burinage, de gougeage et de démolition.

NOTE: En mode de burinage, le marteau perforateur peut aussi être utilisé comme levier pour déloger une mèche coincée.

RÉGLAGE DU TRÉPAN ORDINAIRE (O)

Régler le sélecteur de mode à un des symboles de réglage du trépan ordinaire pour régler le burin à la position voulue. L'angle du burin peut être réglé à 24 positions différentes. Une fois la position de réglage obtenue, avancer et reculer légèrement le trépan ordinaire pour s'assurer du bon engagement du burin.

Voyants d'alimentation (fig. 4)

Le voyant DEL rouge (S) indique la présence d'un problème important et il faut apporter l'outil à un centre de réparation autorisé DeWALT pour le faire réparer.

Le voyant DEL jaune (T) indique que les brosses sont pratiquement usées et que l'outil nécessite un service d'entretien. Après utilisation d'une durée d'environ 8 heures, le moteur s'arrêtera automatiquement. L'outil doit être apporté à un centre de réparation autorisé pour y subir une inspection de routine et un entretien.

FUNCTIONNEMENT

REMARQUE : Cet outil fonctionne entre -7° C et +40° C (entre 19° F et 104° F). L'utilisation de cet outil en dehors de la plage de températures mentionnée réduira sa durée de vie.

Interrupteur (fig. 1)

Pour allumer l'outil, relâcher la détente (A). Pour arrêter l'outil, relâcher la détente. Pour verrouiller la détente à la position marche, monter l'interrupteur coulissant de verrouillage (B) tout en enfonçant la détente.

Pour désactiver l'interrupteur coulissant, enfoncer la détente une fois et relâcher.

L'interrupteur coulissant de verrouillage ne peut être activé qu'en mode de burinage. L'outil cessera de fonctionner si on tente d'engager l'interrupteur coulissant de verrouillage en mode de perçage. Le moteur arrêtera si l'interrupteur coulissant est activé au moment de passer du mode de burinage au mode de perçage.

FONCTION DE DÉMARRAGE SOUPLE

La fonction de démarrage souple vous permet d'accumuler lentement la vitesse, ce qui évite que la mèche ne sorte de la position de trou prévue au moment de commencer. La fonction de démarrage souple permet aussi de réduire la réaction de couple immédiate transmise à l'engrenage et à l'opérateur si le marteau est engagé avec la mèche dans un trou déjà percé.

Perçage (D25701, D25730)

REMARQUE : Le D25890 n'offre que le mode de burinage. Il ne comporte pas de fonction de perçage.

PERÇAGE AVEC UNE MÈCHE PLEINE

1. Régler le sélecteur de mode au mode de marteau perforateur
2. Régler le levier du correcteur de couple au réglage 1 (Q).
3. Régler le sélecteur rotatif de vitesse et de percussion.
4. Insérer la mèche appropriée.
5. Régler la poignée latérale (position avant ou arrière).
6. Marquer l'emplacement du trou à percer.
7. Mettre la mèche sur la marque, puis enfoncer la détente.
8. Appliquer uniquement la pression nécessaire pour engager le correcteur antivibrations actif (se reporter à la section **Correcteur antivibrations actif**).
9. Pour arrêter l'outil, relâcher la détente. Toujours éteindre l'outil lorsque le travail est terminé et avant de le débrancher.

PERÇAGE AVEC UN TRÉPAN CAROTTIER

⚠ **MISE EN GARDE :** Ne pas utiliser de trépan carottier pour le perçage du bois. Des blessures corporelles et dommages à l'outil peuvent en résulter.

1. Régler le sélecteur de mode au mode de marteau perforateur.
2. Régler le levier du correcteur de couple au réglage 2 (R).
3. Régler le sélecteur rotatif de vitesse et de percussion à la position de couple maximum.
4. Régler la poignée latérale (position avant ou arrière).
5. Assembler la mèche à trois pointes et la tige d'adaptateur dans le trépan carottier.
6. Marquer l'emplacement du trou à percer.
7. Mettre la mèche à trois pointes sur la marque, puis enfoncer la détente.

REMARQUE : Certains trépan carottiers demandent la dépose de la mèche à trois pointes après une pénétration d'environ 1 cm. Si c'est le cas, enlever la mèche et continuer le perçage.

8. En cas de perçage dans une structure dont l'épaisseur est supérieure à la profondeur du trépan carottier, briser régulièrement le cylindre ou la carotte de béton dans le trépan. Pour éviter toute séparation non voulue du béton entourant le trou, percer d'abord un trou du diamètre de la mèche à trois pointes dans toute la structure. Percer ensuite le trou foré à mi-chemin de chaque côté de la structure.
9. Pour arrêter l'outil, relâcher la détente. Toujours éteindre l'outil lorsque le travail est terminé et avant de le débrancher.

Burinage et gougeage (D25701, D25730, D25890)

1. Régler le sélecteur de mode au mode de burinage.
 2. Régler le sélecteur rotatif de percussion au réglage voulu (se reporter à la section **Sélecteur électronique de vitesse et de percussion**).
 3. Insérer le burin approprié et le tourner manuellement pour le bloquer à la position voulue.
- REMARQUE :** Pour les modèles SDS max, utiliser uniquement des outils de garniture SDS max.

- Régler la poignée latérale (position avant ou arrière).
- Enfoncer la détenté.
- Appliquer uniquement la pression nécessaire pour engager le correcteur antivibrations actif (se reporter à la section **Correcteur antivibrations actif**).
- Pour arrêter l'outil, relâcher la détenté. Toujours éteindre l'outil lorsque le travail est terminé et avant de le débrancher.

ENTRETIEN

Nettoyage

MISE EN GARDE : Ne jamais utiliser de solvants ni d'autres produits chimiques durs pour nettoyer les pièces non métalliques de l'outil. Ces produits chimiques peuvent affaiblir les matériaux de plastique utilisés dans ces pièces. Utiliser un chiffon humecté uniquement d'eau et de savon doux.

Accessoires

Les accessoires recommandés pour cet outil sont vendus séparément chez les dépositaires locaux ou dans les centres de service autorisés. Pour obtenir plus d'information sur les accessoires, communiquer avec DeWALT Industrial Tool Co., 701 East Joppa Road, Baltimore, MD 21286, États-Unis. Composer le 1 (800) 4-DEWALT (1-800-433-9258) ou visiter notre site Web www.dewalt.com.

MISE EN GARDE : L'usage d'un accessoire non recommandé pourrait présenter un danger.

CAPACITÉ MAXIMALE

	D25701	D25730	D25890
Béton	48 mm (1-7/8 po)	52 mm (2 po)	—
TR/MIN	137-275	125-250	—
Aucune charge (coup par minute)	1 260-2 520	1 152-2300	1 152-2 300

Réparations

Pour assurer la SÉCURITÉ et la FIABILITÉ du produit, les réparations, l'entretien et les réglages (y compris l'inspection et le remplacement des balais) doivent être réalisés par un centre de réparation en usine DeWALT, un centre de réparation autorisé DeWALT ou par un personnel de réparation professionnel. Toujours utiliser des pièces de rechange identiques.

Garantie limitée de trois ans

DeWALT réparera, sans frais, tout produit défectueux causé par un défaut de matériau ou de fabrication pour une période de trois ans à compter de la date d'achat. La présente garantie ne couvre pas les pièces dont la défectuosité a été causée par une usure normale ou l'usage abusif de l'outil. Pour obtenir de plus amples renseignements sur les pièces ou les réparations couvertes par la présente garantie, visiter le site www.dewalt.com ou composer le 1 800 433-9258 (1 800 4-DeWALT). Cette garantie ne s'applique pas aux accessoires et ne vise pas les dommages causés par des réparations effectuées par un tiers. Cette garantie confère des droits légaux particuliers à l'acheteur, mais celui-ci pourrait aussi bénéficier d'autres droits variant d'un État ou d'une province à l'autre.

En plus de la présente garantie, les outils DeWALT sont couverts par notre:

SERVICE D'ENTRETIEN GRATUIT DE 2 ANS

DeWALT entretiendra l'outil et remplacera les pièces usées par une utilisation normale et ce, gratuitement, en tout temps, pendant deux ans à compter de la date d'achat.

GARANTIE DE REMBOURSEMENT DE 90 JOURS

Si l'acheteur n'est pas entièrement satisfait, pour quelque raison que ce soit, du rendement de l'outil électrique, du laser ou de la cloueuse DeWALT, celui-ci peut le retourner, accompagné d'un reçu, dans les 90 jours à compter de la date d'achat, pour obtenir un remboursement intégral, sans aucun problème.

PRODUIT RENOVÉ : Tout produit rénové est couvert par une garantie gratuite d'entretien d'un an. Les garanties de remboursement sous 90 jours et garantie limitée de trois ans ne s'appliquent pas aux produits rénovés.

REMPLACEMENT GRATUIT DES ÉTIQUETTES D'AVERTISSEMENT : Si les étiquettes d'avertissement deviennent illisibles ou sont perdues, composer le 1 800 4-DEWALT pour en obtenir le remplacement gratuit.



Reglas de seguridad generales

¡ADVERTENCIA! Para reducir el riesgo de lesiones, el usuario debe leer el manual de instrucciones.

El incumplimiento de todas y cada una de las instrucciones enumeradas a continuación puede provocar descarga eléctrica, incendio o lesiones graves. El término "herramienta eléctrica" incluido en todas las advertencias enumeradas a continuación hace referencia a su herramienta eléctrica operada con corriente (alámbrica) o a su herramienta eléctrica operada con baterías (inalámbrica).

GUARDE ESTAS INSTRUCCIONES

1) SEGURIDAD EN EL ÁREA DE TRABAJO

- Mantenga su área de trabajo limpia y bien iluminada. Los accidentes abundan en las áreas de trabajo desordenadas u oscuras.
- No opere máquinas herramienta en ambientes explosivos, tales como en presencia de líquidos, gases o polvos inflamables. Las máquinas herramienta generan chispas que pueden inflamar el polvo o los gases.
- No use máquinas herramienta en presencia de niños u otras personas circundantes. Las distracciones pueden hacerle perder el control.

2) SEGURIDAD ELÉCTRICA

- Los enchufes de las máquinas herramienta deben poder acoplarse a la toma de corriente. Jamás modifique el enchufe de ninguna manera. No emplee adaptadores de enchufe con máquinas herramienta conectadas a tierra. Los enchufes no modificados y las tomas de corriente que correspondan al enchufe reducirán el riesgo de descarga eléctrica.
- Evite el contacto corporal con superficies conectadas a tierra, tales como tuberías, radiadores, cocinas y refrigeradores. Existe un mayor riesgo de descarga eléctrica cuando su cuerpo está conectado a tierra.
- No exponga máquinas herramienta a condiciones lluviosas o húmedas. Si entra agua a la máquina herramienta, aumentará el riesgo de descarga eléctrica.
- No abuse del cable. Jamás transporte, arrastre o desenchufe la máquina herramienta por el cable. Mantenga el cable alejado de fuentes de calor, aceite, bordes afilados o piezas en movimiento. Los cables dañados o enredados aumentan

el riesgo de descarga eléctrica. Cambie o repare aquellos cables que estén dañados. Verifique que su alargador esté en buenas condiciones. Utilice sólo alargadores de 3 hilos con enchufes de 3 patas, con conexión a tierra y tomas de corriente de 3 polos que acepten el enchufe de la herramienta.

- Quando opere una máquina herramienta a la intemperie, use un alargador diseñado para uso a la intemperie. El uso de un alargador diseñado para uso a la intemperie reduce el riesgo de descarga eléctrica. Cuando use un alargador, asegúrese de usar uno de un calibre suficiente como para cargar con la corriente que requerirá su producto. Un alargador de menor calibre causará una caída en el voltaje de la línea lo que resultará en pérdida de potencia y sobrecalentamiento. El siguiente cuadro muestra el tamaño correcto a utilizar, dependiendo del largo del cable y el amperaje nominal. En caso de duda, utilice el de mayor calibre. Mientras menor el número del calibre, mayor la capacidad del cable.

Volts	Calibre mínimo para cordones de extensión			
	Longitud total del cordón en metros			
120V	0-7,6	7,6-15,2	15,2-30,4	30,4-45,7
240V	0-15,2	15,2-30,4	30,4-60,9	60,9-91,4

Amperaje	Calibre del cordón AWG	
	Más de	No más de
0	6	18
6	10	16
10	12	14
12	16	12

3) SEGURIDAD PERSONAL

- Manténgase alerta, fíjese en lo que está haciendo y utilice su sentido común cuando opere una máquina herramienta. No utilice una máquina herramienta si está cansado o bajo la influencia de drogas, alcohol o medicamentos. Sólo hace falta un momento de distracción durante la operación de máquinas herramienta para causar lesiones corporales serias.
- Use equipo de seguridad. Utilice siempre protección ocular. El uso de un equipo de seguridad apropiado a las condiciones de trabajo, tal como máscaras antipolvo, calzado de seguridad anti-derrapante, cascos o protección auditiva, reducirá la posibilidad de sufrir lesiones corporales.
- Evite encender la máquina herramienta en forma accidental. Verifique que el conmutador esté apagado antes de enchufar la máquina herramienta. El sujetar una máquina herramienta con el dedo en el conmutador o enchufar máquinas herramienta con el conmutador encendido se presta para que ocurran accidentes.
- Retire toda llave de ajuste antes de encender la máquina herramienta. Si se deja alguna llave en una pieza giratoria de la máquina herramienta, podría provocar lesiones.
- No se sobreentienda. Manténgase siempre bien apoyado y equilibrado. Esto permite tener un mayor control de la máquina herramienta en situaciones inesperadas.
- Vístase debidamente. No se ponga ropa suelta o joyas. Mantenga su pelo, ropa y guantes alejados de piezas móviles. La ropa suelta, las joyas y el pelo largo pueden quedar atrapados en las piezas móviles. Los orificios de ventilación suelen cubrir piezas en movimiento, por lo que también se deben evitar.
- Si la máquina herramienta viene con algún dispositivo de conexión para la extracción y colección de polvo, asegúrese que este sea debidamente conectado y utilizado. El uso de estos dispositivos puede reducir los peligros relacionados a la generación de polvo.

4) USO Y CUIDADO DE LA MÁQUINA HERRAMIENTA

- No fuerce la máquina herramienta. Use la máquina herramienta correcta para su aplicación. La máquina herramienta apropiada hará un trabajo mejor y más seguro si se usa de la forma para la cual fue diseñada.
- No use la máquina herramienta si el conmutador no puede encenderla y apagarla. Cualquier máquina herramienta que no pueda ser controlada con el conmutador es peligrosa y debe ser reparada.
- Desenchufe la máquina herramienta de la toma de corriente y/o de la unidad de alimentación antes de ajustarla, cambiar de accesorio o guardarla. Estas medidas de seguridad preventiva reducen el riesgo de poner en marcha la máquina herramienta accidentalmente.
- Guarde su máquina herramienta fuera del alcance de niños cuando no la esté usando y no permita que personas que no estén familiarizadas con la máquina herramienta o estas instrucciones la usen. Las máquinas herramienta son peligrosas en manos de personas no capacitadas.
- Mantenga su máquina herramienta. Revise la máquina herramienta para verificar que no esté mal alineada, que sus piezas móviles no estén trabadas o rotas y que no exista otra condición que pudiera afectar su operación. Si está dañada, haga reparar la máquina herramienta antes de utilizarla. Muchos accidentes son causados por usar máquinas herramienta que no han sido bien mantenidas.
- Mantenga máquinas herramienta que son usadas para cortar afiladas y limpias. Las máquinas herramienta de corte debidamente mantenidas y afiladas tienen menos probabilidades de trabarse y son más fáciles de controlar.
- Use la máquina herramienta, sus accesorios, etc., en cumplimiento con estas instrucciones y en la manera para la cual la máquina herramienta fue diseñada, tomando en cuenta las condiciones de trabajo y el trabajo a realizar. El uso de una máquina herramienta para operaciones fuera de aquellas para las que fue diseñada podría resultar en una situación peligrosa.

5) SERVICIO

- Haga reparar su máquina herramienta por un técnico de reparación calificado, utilizando sólo repuestos originales. Esto garantizará la seguridad de la máquina herramienta.

Instrucciones de seguridad adicionales para rotomartillos de cincel

- Sostenga la herramienta por las superficies de agarre aisladas cuando realice una operación en la que la herramienta de corte pueda tocar cables eléctricos ocultos o el cable de ésta. El contacto con un cable con corriente eléctrica hará que las partes expuestas de la herramienta tengan corriente y que el operador reciba una descarga eléctrica.

Asegúrese de que el material por taladrar no contenga cableados o tuberías de gas ocultos, cuyas ubicaciones deben haber sido constatadas con las empresas de servicios públicos correspondientes.

- Use protectores auditivos. La exposición al ruido puede ocasionar la pérdida de la audición.
- Use los mangos auxiliares que se suministran con la herramienta. La pérdida del control podría ocasionar lesiones personales.

Sujete la herramienta firmemente en todo momento. No intente hacer funcionar esta herramienta sin sostenerla con ambas manos. Si intenta hacerla funcionar con una sola mano, podría perder el control de la herramienta. También podría ser peligroso perforar o encontrar materiales duros, como barras de refuerzo. Ajuste firmemente el mango lateral antes de utilizar la herramienta.

- Use anteojos de seguridad u otra protección similar para los ojos. Al martillar se producen astillas. Las partículas volátiles pueden provocar lesiones oculares permanentes. Utilice una máscara para polvo o una mascarilla de respiración en aplicaciones que generen polvo. La mayoría de las aplicaciones pueden requerir protección auditiva.
- Sujete la herramienta firmemente en todo momento. No intente hacer funcionar esta herramienta sin sostenerla con ambas manos. Se recomienda utilizar el mango lateral en todo momento. Hacerla funcionar con una sola mano provocará la pérdida del control de la herramienta. Perforar o encontrar materiales duros tales como barras de refuerzo también puede resultar peligroso.
- No haga funcionar esta herramienta durante períodos prolongados. La vibración que produce la acción de percusión puede ser perjudicial para las manos y los brazos. Use guantes que provean amortiguación extra y limite la exposición tomando descansos frecuentes.

- **No reacondicione las brocas usted mismo.** El reacondicionamiento del cincel debe ser realizado por un especialista autorizado. Los cincelos reacondicionados de manera incorrecta pueden provocar lesiones.
- **Use cuantas cuando utilice la herramienta o cambie las brocas.** Mientras la herramienta se encuentra en funcionamiento, las piezas metálicas accesibles de la misma y las brocas pueden sobrecalentarse. Los trozos pequeños de material roto pueden dañar las manos sin guantes.
- **Nunca apoye la herramienta hasta que la broca se haya detenido completamente.** Las brocas en movimiento podrían provocar lesiones.
- **No golpee las brocas atascadas con un martillo para desatascarlas.** Los fragmentos de metal o astillas del material podrían desprenderse y provocar lesiones.
- **Los cincelos levemente gastados pueden afilarse con una esmeriladora.**
- **Mantenga el cable eléctrico alejado de la broca giratoria. No enrosque el cable alrededor de ninguna parte del cuerpo.** Un cable eléctrico enroscado alrededor de una broca giratoria puede provocar lesiones personales y pérdida del control.

NOTA: No sobrecaliente la broca (decoloración) mientras esmerila un borde nuevo. Los cincelos muy gastados deben ser reforjados. No temple ni endurezca nuevamente los cincelos.

▲ **PRECAUCIÓN:** Utilice una protección auditiva apropiada durante el uso. En determinadas condiciones y con utilizaciones prolongadas, el ruido generado por este producto puede favorecer la pérdida de audición.

▲ **ADVERTENCIA:** Parte del polvo generado al lijar, serrar, esmerilar y taladrar con máquinas herramienta, así como al realizar otras actividades del sector de la construcción, contienen productos químicos que pueden producir cáncer, defectos congénitos u otras afecciones reproductivas. Ejemplos de esas sustancias químicas son:

- plomo procedente de pinturas a base de plomo,
- óxido de silicio cristalino procedente de ladrillos, cemento y otros productos de mampostería y
- arsénico y cromo procedentes de madera tratada químicamente (CCA).

El peligro derivado de estas exposiciones que usted enfrenta varía en función de la frecuencia con que se realice este tipo de trabajo. Para reducir la exposición a esas sustancias químicas: trabaje en una zona bien ventilada y llevando equipos de seguridad aprobados, como mascarillas antipolvo especialmente diseñadas para filtrar partículas microscópicas.

- **Evite el contacto prolongado con el polvo procedente del lijado, serrado, esmerilado y taladrado eléctricos, así como de otras actividades del sector de la construcción. Lleve ropa protectora y lave con agua y jabón las zonas expuestas.** Si permite que el polvo se introduzca en la boca o los ojos o quede sobre la piel, puede favorecer la absorción de productos químicos peligrosos.

▲ **ADVERTENCIA:** El uso de esta herramienta puede generar o dispersar polvo lo cual puede causar lesiones respiratorias serias y permanentes y otros tipos de lesión. Siempre use protección respiratoria aprobada por NIOSH/OSHA para la exposición al polvo. Dirija las partículas en dirección opuesta a su cara y cuerpo.

- La etiqueta de su herramienta puede incluir los siguientes símbolos. Los símbolos y sus definiciones son los siguientes:

V	voltios	A	amperios
Hz	hertzios	W	vatios
min	minutos	~	corriente alterna
====	corriente directa	no	velocidad sin carga
☐	construcción de Clase II	.../min	revoluciones por minuto
⊕	terminal a tierra	▲	símbolo de alerta de seguridad
BPM	Golpes por minuto		

CONSERVE ESTAS INSTRUCCIONES PARA USO FUTURO

Motor

Su herramienta está alimentada por un motor DEWALT diseñado para utilizarse con corriente alterna. Un descenso en el voltaje de más del 10% producirá una pérdida de potencia y sobrecalentamiento. Todas las herramientas DEWALT son probadas en fábrica; si esta herramienta no funciona, controle el suministro eléctrico.

Componentes (Fig. 1)

- | | |
|--------------------------------------|---|
| A. Interruptor disparador | F. Selector de modos |
| B. Interruptor deslizante de bloqueo | G. Dial de control electrónico de velocidad e impacto |
| C. Mango lateral | H. Perilla de mango |
| D. Mango principal | I. Mango lateral de posición trasera |
| E. Control activo de vibración | |

Mango lateral (Fig. 3)

▲ **PRECAUCIÓN:** Opere siempre la herramienta con el mango lateral montado correctamente. Sostenga la herramienta con ambas manos para máximo control.

El mango lateral se fija al cilindro delantero (anillo) y puede girarse 360° para utilizarlo tanto con la mano derecha como con la izquierda. Para operar la herramienta con comodidad, el mango lateral puede colocarse en la parte delantera o trasera

MONTAJE EN LA PARTE DELANTERA (FIG. 3)

1. Desenrosque el mango lateral (C) y desmonte la abrazadera del mango lateral (J).
2. Encaje el anillo de acero (K) sobre el anillo (L) que se encuentra detrás del soporte de la herramienta (M). Oprima y junte ambos extremos del anillo de acero. Monte el buje (N) e inserte el perno (O).
3. Deslice la abrazadera del mango lateral (J) y el buje dentro de la perilla de la abrazadera (H). No ajuste.
4. Enrosque el mango lateral en la perilla de la abrazadera (H) y ajuste.
5. Gire el montaje del mango lateral hacia la posición deseada. Para taladrar horizontalmente con una broca de taladro pesado, coloque el montaje del mango lateral en un ángulo de aproximadamente 20° con respecto a la herramienta para máximo control.
6. Fije el montaje del mango lateral en su lugar ajustando la perilla de la abrazadera (H).

MONTAJE EN LA PARTE TRASERA (FIG. 3)

1. Desenrosque el mango lateral (C) y quítele del montaje del mango lateral. Deje el montaje del mango lateral en la posición delantera.
2. Enrosque el mango lateral directamente en una de las posiciones traseras (I) en cualquiera de los lados de la herramienta.

Control activo de vibración (Fig. 1)

Para un mejor control de la vibración, sostenga la herramienta con una mano en el mango principal (D) y la otra en el mango lateral (C). Aplique sólo la presión necesaria para que el martillo esté a media carrera aproximadamente. El martillo sólo necesita la presión suficiente para activar el control activo de vibración. Si se aplica demasiada presión, la herramienta no taladrará o cincelará más rápido y no se activará el control activo de vibración.

Inserción y remoción de los accesorios SDS max™ (Fig. 3)

▲ **PRECAUCIÓN:** APAGUE LA HERRAMIENTA Y DESCONÉCTELA DE LA FUENTE DE ENERGÍA.

1. Tire hacia atrás el casquillo de bloqueo (P) e inserte el vástago de la broca. El vástago de la broca debe estar limpio y apenas lubricado.
2. Gire levemente la broca hasta que el casquillo encaje nuevamente en su posición.
3. Asegúrese de que la broca esté colocada correctamente.

NOTA: Cuando la broca está bien colocada debe moverse varios centímetros hacia adentro y hacia fuera del soporte de la herramienta (M).

4. Para retirar la broca tire el casquillo hacia atrás y extráigala.

Control completo de torsión (Fig. 4)

▲ **PRECAUCIÓN:** Apague siempre la herramienta antes de cambiar las configuraciones del control de torsión ya que la herramienta puede dañarse.

La función de Control Completo de Torsión (CTC, por sus siglas en inglés) está diseñada para brindar un control adicional mediante un mecanismo de embrague de dos etapas.

La configuración del embrague nº 1 (Q) está diseñada para la mayoría de las perforaciones y para desacoplar el embrague fácilmente cuando la broca se encuentra con una barra de refuerzo u otras sustancias extrañas.

La configuración del embrague nº 2 (R) está diseñada para aplicaciones de mayor torsión tales como perforaciones a corona o de orificios profundos.

NOTA: Deje que la cubierta del motor gire un poco mientras cambia el torque.

Toda vez que se enchufe la herramienta, se colocará automáticamente en la configuración del embrague nº 1, la configuración más sensible.

Control electrónico de velocidad e impacto (Fig. 4)

El control electrónico de velocidad e impacto posibilita el uso de brocas más pequeñas sin correr el riesgo de que se rompan, la perforación de materiales frágiles y livianos sin que se quiebren y el control óptimo de la herramienta para un cincelado preciso.

Para fijar el dial de control, gírelo (G) hasta el nivel deseado. Cuanto mayor sea el número, mayor será la velocidad y la energía del impacto. Las configuraciones del dial hacen que la herramienta sea extremadamente flexible y adaptable a diferentes aplicaciones. La configuración requerida depende del tamaño de la broca y de la dureza del material a perforar.

Selector de modos (Fig. 1)

▲ **PRECAUCIÓN:** Nunca cambie el modo mientras la unidad esté funcionando.

▲ **PRECAUCIÓN:** No cambie al modo de taladro percutor con la broca de cincel en el soporte de la herramienta. Podría ocasionar lesión personal o daño a la herramienta.

Los modelos D25701 y D25730 utilizan dos modos de operación. Para seleccionar el modo de operación requerido, gire el selector de modos (F) hasta que la flecha señale el icono del modo taladro percutor o cincel. El modelo D25890 utiliza sólo el modo cincel.

MODO TALADRO PERCUTOR (T)

La herramienta gira e impacta simultáneamente sobre la pieza de trabajo. Este modo es apropiado para utilizar en todas las aplicaciones en hormigón y mampostería.

MODO CINCEL (C)

El bloqueo del eje está trabado en el modo cincel de manera tal que la herramienta impacta sobre la pieza de trabajo sin girar. Este modo es apropiado para aplicaciones de labrado, demolición y cincelado leves.

NOTA: En el modo cincel, el taladro percutor también puede utilizarse como palanca para liberar una broca atascada.

AJUSTE DE LA BROCA DE CINCEL (C)

Gire el selector de modos hasta uno de los iconos de ajuste de brocas de cincel para ajustarlo en la posición deseada. Hay 24 posiciones posibles para fijar el ángulo del cincel. Luego de encontrar la posición deseada, mueva levemente la broca del cincel hacia adelante y hacia atrás para asegurarse de que esté colocado correctamente.

Luces indicadoras de energía (Fig. 4)

La luz LED roja (S) indica que hay un problema serio y que la herramienta debe llevarse a un centro de servicios DEWALT autorizado para ser reparada.

La luz LED amarilla (T) indica que los cepillos están prácticamente gastados y que necesita realizarle mantenimiento a la herramienta. Luego de aproximadamente 8 horas de uso, el motor se apagará automáticamente. Debe llevar la herramienta a un centro de servicios DEWALT autorizado para realizarle tareas de inspección y mantenimiento de rutina.

OPERACIÓN

NOTA: La temperatura de operación de esta herramienta es -7°C a +40°C (19°F a 104°F). Esta herramienta tendrá una vida útil más corta si se usa fuera del rango de temperatura indicado.

Interruptor (Fig. 1)

Para encender la herramienta, oprima el interruptor disparador (A). Para apagar la herramienta, suelte el interruptor disparador. Para bloquear el interruptor disparador en encendido, empuje hacia arriba el interruptor deslizante de bloqueo (B) mientras oprime el interruptor disparador. Para desactivar el interruptor deslizante de bloqueo, oprima una vez el interruptor disparador y luego suéltelo.

El interruptor deslizante de bloqueo sólo puede activarse en el modo cincel. La máquina no funcionará si trata de fijar el interruptor deslizante de bloqueo en modo taladro. El motor dejará de funcionar si el interruptor deslizante de bloqueo se activa al cambiar del modo cincel al modo taladro.

FUNCIÓN DE ARRANQUE SUAVE

La función de arranque suave le permite adquirir velocidad lentamente, evitando de esta forma que la broca se salga del orificio a realizar. La función de arranque suave también reduce la reacción de torsión inmediata que se transmite a los engranajes y al operador si el martillo se enciende con la broca dentro de un orificio ya existente.

Perforación (D25701, D25730)

NOTA: El modelo D25890 tiene sólo el modo cincel sin capacidad de perforación.

PERFORACIÓN CON UNA BROCA SÓLIDA

1. Coloque el selector de modos en el modo taladro percutor
2. Mueva la palanca de control de torsión hasta la configuración 1 (Q).
3. Fije el dial de control de velocidad e impacto.
4. Inserte la broca apropiada.
5. Ajuste el mango lateral (en posición delantera o trasera).
6. Marque el punto donde debe perforarse el orificio.
7. Coloque la broca en esa marca y oprima el interruptor disparador.
8. Aplique sólo la presión suficiente para activar el control activo de vibración (consulte **Control activo de vibración**).
9. Para apagar la herramienta, suelte el interruptor disparador. Cuando termine el trabajo apague siempre la herramienta antes de desenchufarla.

PERFORAR CON UNA BROCA ANULAR

▲ **PRECAUCIÓN:** No use una broca anular para perforar la madera. Podría ocasionar lesión personal o daño a la herramienta.

1. Coloque el selector de modos en el modo taladro percutor.
2. Mueva la palanca de control de torsión hasta la configuración 2 (R).
3. Gire el dial de control de velocidad e impacto hasta la posición de torsión máxima.
4. Ajuste el mango lateral (en posición delantera o trasera).
5. Monte la broca centradora y el vástago del adaptador en la broca anular.
6. Marque el punto donde debe perforarse el orificio.
7. Coloque la broca centradora en esa marca y oprima el interruptor disparador.

NOTA: Algunas perforaciones a corona requieren que se quite la broca centradora luego de perforar aproximadamente 1cm. En ese caso, quítela y continúe perforando.

8. Al perforar una estructura más gruesa que la profundidad de la broca anular, rompa el cilindro redondo de hormigón o núcleo que se encuentra dentro de la broca a intervalos regulares. Para evitar que se rompa el hormigón alrededor del orificio, primero realice una perforación del diámetro de la broca centradora a través de la estructura. Luego perforé el orificio con núcleo hasta la mitad del recorrido de cada lado de la estructura.
9. Para apagar la herramienta, suelte el interruptor disparador. Cuando termine el trabajo apague siempre la herramienta antes de desenchufarla.

Labrado y cincelado (D25701, D25730, D25890)

1. Coloque el selector de modos en el modo cincel.
2. Fije el dial de control de impacto en la configuración deseada (consulte **Control electrónico de velocidad e impacto**).
3. Inserte el cincel apropiado y gírelo a mano para fijarlo en la posición deseada.
- NOTA:** Para los modelos SDS max, utilice solamente herramientas de inserción SDS max.
4. Ajuste el mango lateral (en posición delantera o trasera).
5. Oprima el interruptor disparador.
6. Aplique sólo la presión suficiente para activar el control activo de vibración (consulte **Control activo de vibración**).
7. Para apagar la herramienta, suelte el interruptor disparador. Cuando termine el trabajo apague siempre la herramienta antes de desenchufarla

MANTENIMIENTO

Limpieza

⚠ PRECAUCIÓN: Nunca utilice solventes u otros químicos abrasivos para limpiar las piezas no metálicas de la herramienta. Estos productos químicos pueden debilitar los materiales plásticos utilizados en estas piezas. Utilice un paño humedecido sólo con agua y jabón neutro.

Accesorios

Los accesorios recomendados para su herramienta están disponibles con un cargo adicional en su distribuidor local o en el centro de servicio autorizado. Si usted necesita ayuda para encontrar un accesorio para su herramienta, contacte a: DeWALT Industrial Tool Co., 701 East Joppa Road, Baltimore, MD 21286, llame al 1-800-4-DeWALT (1-800-433-9258) o visite nuestro sitio web www.dewalt.com.

⚠ PRECAUCIÓN: La utilización de cualquier accesorio no recomendado para esta herramienta puede ser peligrosa.

	CAPACIDAD MÁXIMA		
	D25701	D25730	D25890
Hormigón	48 mm (1-7/8")	52 mm (2")	—
RPM	137-275	125-250	—
GPM sin carga	1 260-2 520	1 152-2 300	1 152-2 300

Reparaciones

Para garantizar la SEGURIDAD y la CONFIABILIDAD, deberán hacerse reparaciones, mantenimiento y ajustes de esta herramienta en los centros autorizados de servicio DeWALT u otras organizaciones autorizadas. Estas organizaciones prestan servicio a las herramientas DeWALT y emplean siempre refacciones legítimas DeWALT.

Póliza de Garantía

IDENTIFICACIÓN DEL PRODUCTO:

Sello o firma del Distribuidor.

Nombre del producto: _____ Mod./Cat.: _____

Marca: _____ Núm. de serie: _____

(Datos para ser llenados por el distribuidor)

Fecha de compra y/o entrega del producto: _____

Nombre y domicilio del distribuidor donde se adquirió el producto: _____

Este producto está garantizado por un año a partir de la fecha de entrega, contra cualquier defecto en su funcionamiento, así como en materiales y mano de obra empleados para su fabricación. Nuestra garantía incluye la reparación o reposición del producto y/o componentes sin cargo alguno para el cliente, incluyendo mano de obra, así como los gastos de transportación razonablemente erogados derivados del cumplimiento de este certificado.

Para hacer efectiva esta garantía deberá presentar su herramienta y esta póliza sellada por el establecimiento comercial donde se adquirió el producto, de no contar con ésta, bastará la factura de compra.

EXCEPCIONES.

Esta garantía no será válida en los siguientes casos:

- Cuando el producto se hubiese utilizado en condiciones distintas a las normales;
- Cuando el producto no hubiese sido operado de acuerdo con el instructivo de uso que se acompaña;
- Cuando el producto hubiese sido alterado o reparado por personas distintas a las enlistadas al final de este certificado.

Anexo encontrará una relación de sucursales de servicio de fábrica, centros de servicio autorizados y franquiciados en la República Mexicana, donde podrá hacer efectiva su garantía y adquirir partes, refacciones y accesorios originales.

Garantía limitada por tres años

DeWALT reparará, sin cargo, cualquier falla que surja de defectos en el material o la fabricación del producto, por hasta tres años a contar de la fecha de compra. Esta garantía no cubre fallas de las piezas causadas por su desgaste normal o abuso a la herramienta. Para mayores detalles sobre la cobertura de la garantía e información acerca de reparaciones realizadas bajo garantía, visítenos en www.dewalt.com o diríjase al centro de servicio más cercano. Esta garantía no aplica a accesorios o a daños causados por reparaciones realizadas o intentadas por terceros. Esta garantía le otorga derechos legales específicos, además de los cuales puede tener otros dependiendo del estado o provincia en que se encuentre.

Además de la garantía, las herramientas DeWALT están cubiertas por:

SERVICIO GRATUITO DE 2 AÑOS

DeWALT realiza el mantenimiento de la herramienta y reemplaza las piezas gastadas tras el uso normal, sin costo alguno, en cualquier momento durante los primeros dos años después de la compra.

GARANTÍA DE REEMBOLSO DE SU DINERO POR 90 DÍAS

Si no está completamente satisfecho con el desempeño de su máquina herramienta, láser o clavadora DeWALT, cualquiera sea el motivo, podrá devolverlo hasta 90 días de la fecha de compra con su recibo y obtener el reembolso completo de su dinero – sin necesidad de responder a ninguna pregunta.

PRODUCTO REACONDICIONADO: Los productos reacondicionados están cubiertos bajo la Garantía de 1 Año de Servicio Gratuito. La Garantía de 90 Días de Reembolso de su Dinero y la Garantía Limitada de Tres Años no aplican a productos reacondicionados.

SUSTITUCIÓN GRATUITA DE LAS ETIQUETAS DE ADVERTENCIA: Si las etiquetas de advertencia se vuelven ilegibles o se pierden, llame al 1-800-4-DeWALT para conseguir gratuitamente otras de repuesto.



PARA REPARACIÓN Y SERVICIO DE SUS HERRAMIENTAS ELÉCTRICAS, FAVOR DE DIRIGIRSE AL CENTRO DE SERVICIO MÁS CERCANO

CULIACAN, SIN Av. Nicolás Bravo #1063 Sur - Col. Industrial Bravo	(667) 7 12 42 11
GUADALAJARA, JAL Av. La Paz #1779 - Col. Americana Sector Juárez	(33) 3825 6978
MEXICO, D.F. Eje Central Lázaro Cárdenas No. 18 Local D, Col. Obrera	(55) 5588 9377
MERIDA, YUC Calle 63 #459-A - Col. Centro	(999) 928 5038
MONTERREY, N.L. Av. Francisco I. Madero No.831 - Col. Centro	(81) 8375 2313
PUEBLA, PUE 17 Norte #205 - Col. Centro	(222) 246 3714
QUERETARO, QRO Av. Madero 139 Pte. - Col. Centro	(442) 214 1660
SAN LUIS POTOSÍ, SLP Av. Universidad 1525 - Col. San Luis	(444) 814 2383
TORREÓN, COAH Blvd. Independencia, 96 Pte. - Col. Centro	(871) 716 5265
VERACRUZ, VER Prolongación Díaz Mirón #4280 - Col. Remes	(229) 921 7016
VILLAHERMOSA, TAB Constitución 516-A - Col. Centro	(993) 312 5111

PARA OTRAS LOCALIDADES LLAME AL: (55) 5326 7100

Especificaciones

	D25701	D25730	D25890
Tensión de alimentación:	120 V AC ~	120 V AC ~	120 V AC ~
Consumo de corriente:	13 A	15A	15A
Frecuencia de alimentación:	50/60 Hz	50/60 Hz	50/60 Hz
Potencia nominal:	1 300 W	1 500 W	1 500 W
Rotación sin carga:	137-275/min	125-250/min	—
Golpes por minuto	1 260-2 520 gpm	1 152-2 300 gpm	1 152-2 300 gpm

IMPORTADOR: DeWALT S.A. DE C.V.
BOSQUES DE CIDROS ACCESO RADIATAS NO. 42
COL. BOSQUES DE LAS LOMAS, 3A. SECCIÓN, CP 05120
DELEGACIÓN CUAJIMALPA, MÉXICO, D.F.
TEL. 5 326 7100
R.F.C.: BDE810626-1W7

Para servicio y ventas consulte
"HERRAMIENTAS ELÉCTRICAS"
en la sección amarilla.

