

Robert Bosch GmbH
Power Tools Division
70745 Leinfelden-Echterdingen
Germany

www.bosch-pt.com

2 609 932 722 (2009.12) O / 224 UNI



2 609 932 722

GBS 75 AE Professional

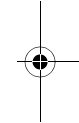
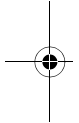
 **BOSCH**

de Originalbetriebsanleitung	el Πρωτότυπο οδηγίων χρήσης	sr Originalno uputstvo za rad
en Original instructions	tr Orijinal işletme talimatı	sl Izvirna navodila
fr Notice originale	pl Instrukcja oryginalna	hr Originalne upute za rad
es Manual original	cs Původní návod k používání	et Algupärane kasutusjuhend
pt Manual original	sk Pôvodný návod na použitie	lv Instrukcijas oriģinālvalodā
it Istruzioni originali	hu Eredeti használati utasítás	lt Originali instrukcija
nl Oorspronkelijke gebruiksaanwijzing	ru Оригинальное руководство по эксплуатации	ar تعليمات التشغيل الأصلية
da Original brugsanvisning	uk Оригінальна інструкція з експлуатації	fa راهنمای طرز کار اصلی
sv Bruksanvisning i original	ro Instrucțiuni originale	
no Original driftsinstruks	bg Оригинална инструкция	
fi Alkuperäiset ohjeet		



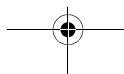
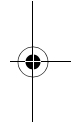
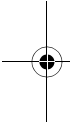
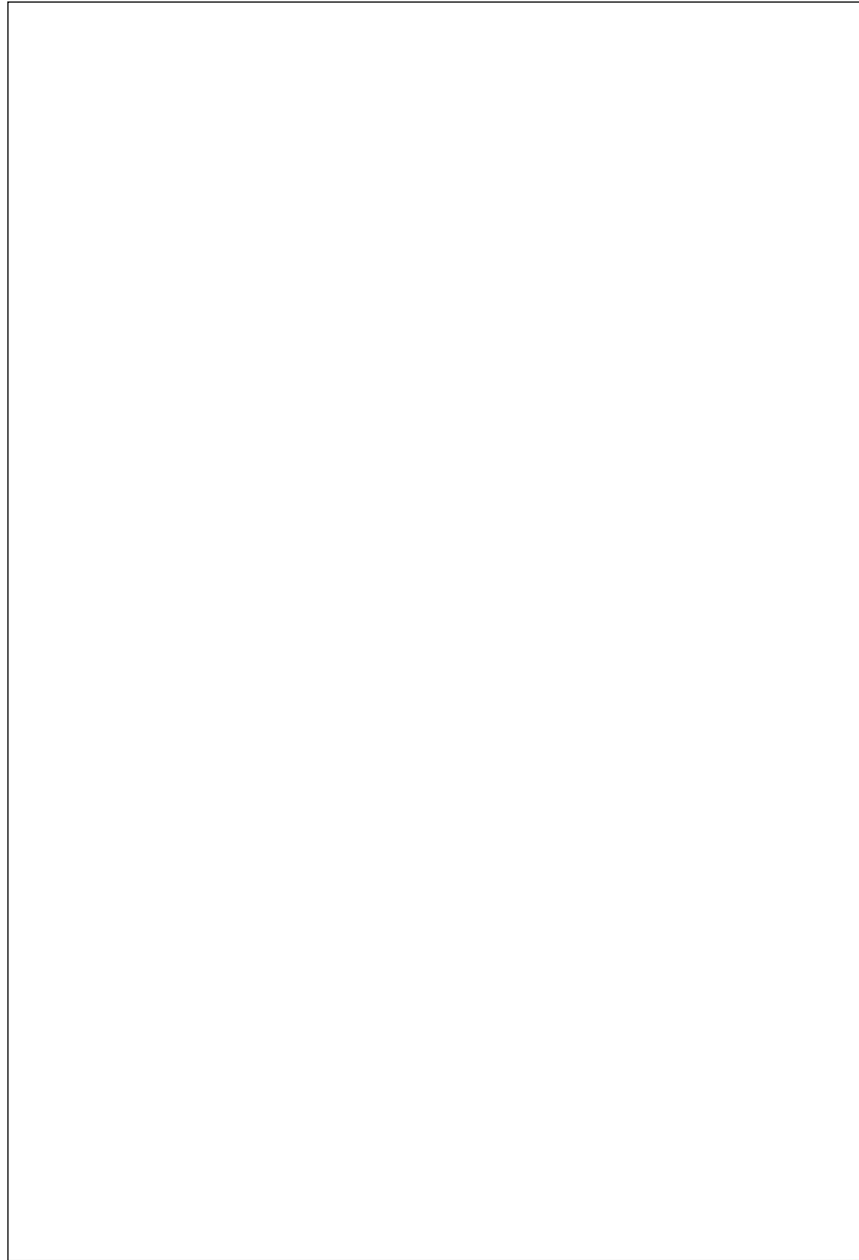


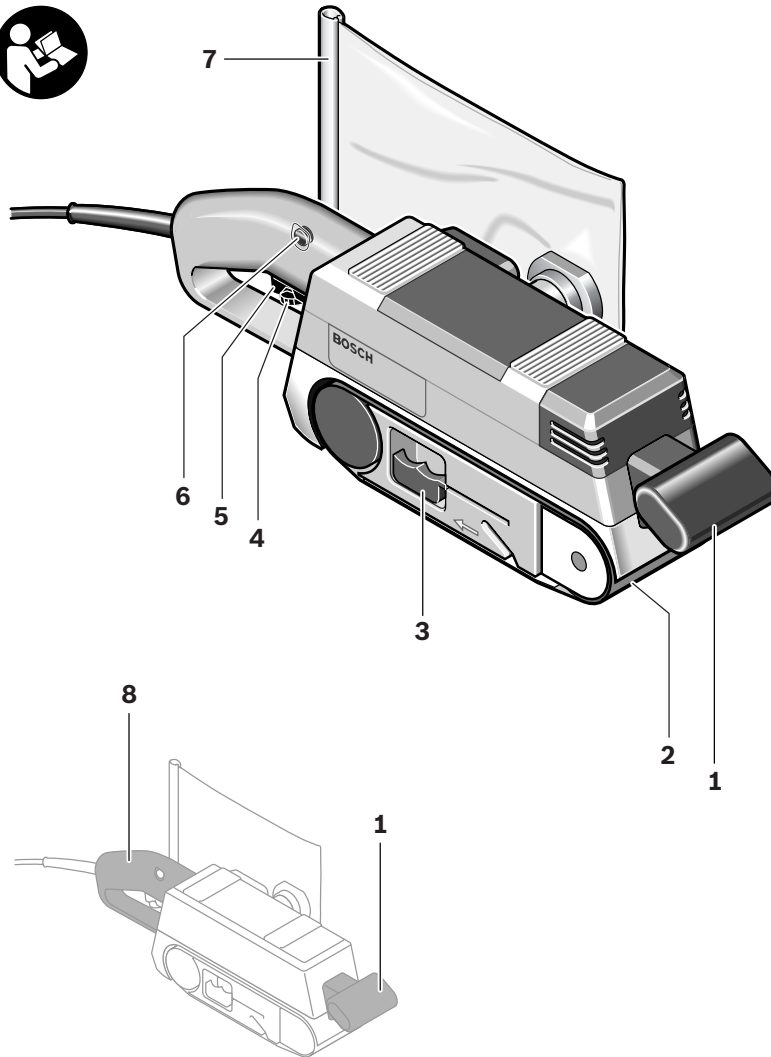
Deutsch	Seite	6
English	Page	14
Français	Page	22
Español	Página	30
Português	Página	38
Italiano	Página	46
Nederlands	Página	54
Dansk	Side	62
Svenska	Sida	69
Norsk	Side	75
Suomi	Sivu	82
Ελληνικά	Σελίδα	89
Türkçe	Sayfa	97
Polski	Strona	104
Česky	Strana	112
Slovensky	Strana	119
Magyar	Oldal	127
Русский	Страница	135
Українська	Сторінка	143
Română	Pagina	151
Български	Страница	158
Srpski	Strana	166
Slovensko	Stran	173
Hrvatski	Stranica	180
Eesti	Lehekülj	187
Latviešu	Lappuse	194
Lietuviškai	Puslapis	202
عربي	صفحة	214
فارسی	صفحه	221





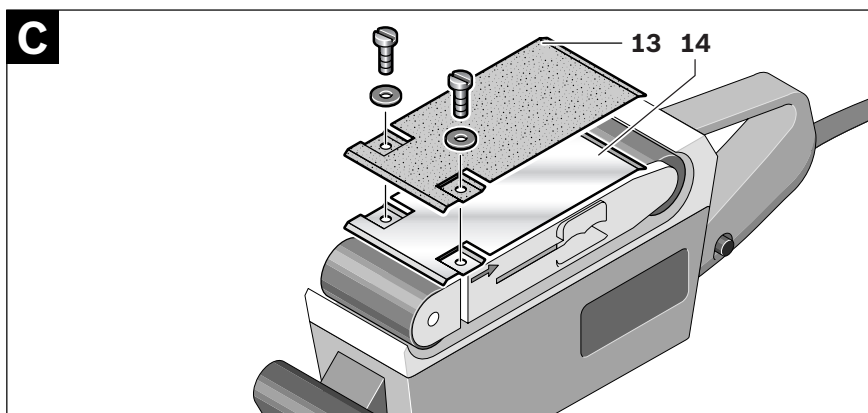
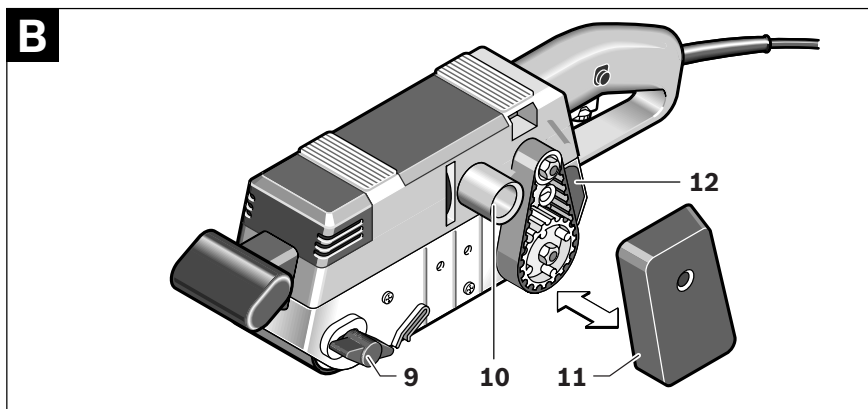
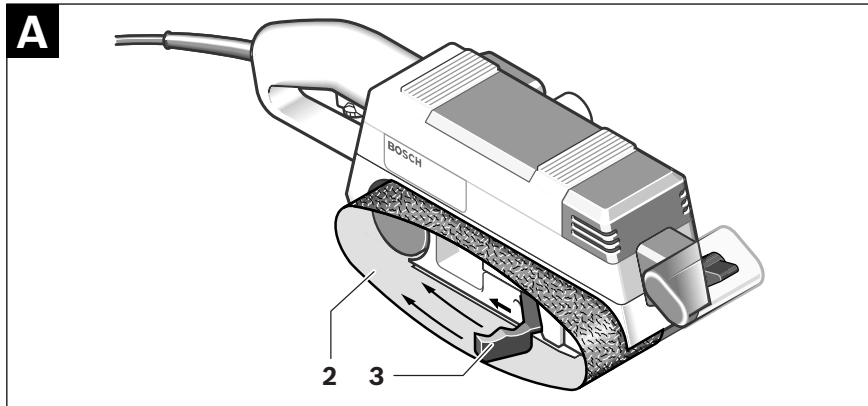
3 |





**GBS 75 AE
Professional**

5 |



Deutschland

Robert Bosch GmbH
Servicezentrum Elektrowerkzeuge
Zur Luhne 2
37589 Kalefeld – Willershausen
Tel. Kundendienst: +49 (1805) 70 74 10
Fax: +49 (1805) 70 74 11
E-Mail: Servicezentrum.Elektrowerkzeuge@de.bosch.com
Tel. Kundenberatung: +49 (1803) 33 57 99
Fax: +49 (711) 7 58 19 30
E-Mail: kundenberatung.ew@de.bosch.com

Österreich

Tel.: +43 (01) 7 97 22 20 10
Fax: +43 (01) 7 97 22 20 11
E-Mail:
service.elektrowerkzeuge@at.bosch.com

Schweiz

Tel.: +41 (044) 8 47 15 11
Fax: +41 (044) 8 47 15 51

Luxemburg

Tel.: +32 (070) 22 55 65
Fax: +32 (070) 22 55 75
E-Mail: outillage.gereedschap@be.bosch.com

Entsorgung

Elektrowerkzeuge, Zubehör und Verpackungen sollen einer umweltgerechten Wiederverwertung zugeführt werden.

Nur für EU-Länder:

Werfen Sie Elektrowerkzeuge nicht in den Hausmüll!
Gemäß der Europäischen Richtlinie 2002/96/EG über Elektro- und Elektronik-Altgeräte und ihrer Umsetzung in nationales Recht müssen nicht mehr gebrauchsfähige Elektrowerkzeuge getrennt gesammelt und einer umweltgerechten Wiederverwertung zugeführt werden.

Änderungen vorbehalten.

Safety Notes

General Power Tool Safety Warnings

⚠ WARNING Read all safety warnings and all instructions. Failure to follow the warnings and instructions may result in electric shock, fire and/or serious injury.

Save all warnings and instructions for future reference.

The term "power tool" in the warnings refers to your mains-operated (corded) power tool or battery-operated (cordless) power tool.

1) Work area safety

- a) **Keep work area clean and well lit.** Cluttered or dark areas invite accidents.
- b) **Do not operate power tools in explosive atmospheres, such as in the presence of flammable liquids, gases or dust.** Power tools create sparks which may ignite the dust or fumes.
- c) **Keep children and bystanders away while operating a power tool.** Distractions can cause you to lose control.

2) Electrical safety

- a) **Power tool plugs must match the outlet. Never modify the plug in any way. Do not use any adapter plugs with earthed (grounded) power tools.** Unmodified plugs and matching outlets will reduce risk of electric shock.
- b) **Avoid body contact with earthed or grounded surfaces, such as pipes, radiators, ranges and refrigerators.** There is an increased risk of electric shock if your body is earthed or grounded.
- c) **Do not expose power tools to rain or wet conditions.** Water entering a power tool will increase the risk of electric shock.
- d) **Do not abuse the cord. Never use the cord for carrying, pulling or unplugging the power tool. Keep cord away from heat, oil, sharp edges and moving parts.** Damaged or entangled cords increase the risk of electric shock.

e) **When operating a power tool outdoors, use an extension cord suitable for outdoor use.** Use of a cord suitable for outdoor use reduces the risk of electric shock.

f) **If operating a power tool in a damp location is unavoidable, use a residual current device (RCD) protected supply.** Use of an RCD reduces the risk of electric shock.

3) Personal safety

- a) **Stay alert, watch what you are doing and use common sense when operating a power tool. Do not use a power tool while you are tired or under the influence of drugs, alcohol or medication.** A moment of inattention while operating power tools may result in serious personal injury.
- b) **Use personal protective equipment. Always wear eye protection.** Protective equipment such as dust mask, non-skid safety shoes, hard hat, or hearing protection used for appropriate conditions will reduce personal injuries.
- c) **Prevent unintentional starting. Ensure the switch is in the off-position before connecting to power source and/or battery pack, picking up or carrying the tool.** Carrying power tools with your finger on the switch or energising power tools that have the switch on invites accidents.
- d) **Remove any adjusting key or wrench before turning the power tool on.** A wrench or a key left attached to a rotating part of the power tool may result in personal injury.
- e) **Do not overreach. Keep proper footing and balance at all times.** This enables better control of the power tool in unexpected situations.
- f) **Dress properly. Do not wear loose clothing or jewellery. Keep your hair, clothing and gloves away from moving parts.** Loose clothes, jewellery or long hair can be caught in moving parts.

g) If devices are provided for the connection of dust extraction and collection facilities, ensure these are connected and properly used. Use of dust collection can reduce dust-related hazards.

4) Power tool use and care

- a) **Do not force the power tool. Use the correct power tool for your application.** The correct power tool will do the job better and safer at the rate for which it was designed.
- b) **Do not use the power tool if the switch does not turn it on and off.** Any power tool that cannot be controlled with the switch is dangerous and must be repaired.
- c) **Disconnect the plug from the power source and/or the battery pack from the power tool before making any adjustments, changing accessories, or storing power tools.** Such preventive safety measures reduce the risk of starting the power tool accidentally.
- d) **Store idle power tools out of the reach of children and do not allow persons unfamiliar with the power tool or these instructions to operate the power tool.** Power tools are dangerous in the hands of untrained users.
- e) **Maintain power tools. Check for misalignment or binding of moving parts, breakage of parts and any other condition that may affect the power tool's operation. If damaged, have the power tool repaired before use.** Many accidents are caused by poorly maintained power tools.
- f) **Keep cutting tools sharp and clean.** Properly maintained cutting tools with sharp cutting edges are less likely to bind and are easier to control.
- g) **Use the power tool, accessories and tool bits etc. in accordance with these instructions, taking into account the working conditions and the work to be performed.** Use of the power tool for operations different from those intended could result in a hazardous situation.

5) Service

- a) **Have your power tool serviced by a qualified repair person using only identical replacement parts.** This will ensure that the safety of the power tool is maintained.

Safety Warnings for Sander

- ▶ **Hold power tool by insulated gripping surfaces, because the belt may contact its own cord.** Contact a "live" wire may make exposed metal parts of the power tool "live" and could give the operator an electric shock.
- ▶ **Use the machine only for dry sanding.** Penetration of water into the machine increases the risk of an electric shock.
- ▶ **Apply the machine to the workpiece only when switched on and switch the machine off only after it has been lifted away from the workpiece.** The power tool can move suddenly.
- ▶ **Never touch the running sanding belt.** Danger of injury.
- ▶ **Pay attention that no persons are put at risk through sparking. Remove any combustible materials in the vicinity.** Sparking occurs when sanding metal materials.
- ▶ **Do not use worn, torn or heavily clogged sanding belts.** Damaged sanding belts can tear apart, be thrown from the machine and injure somebody.
- ▶ **Caution, fire hazard! Avoid overheating the object being sanded as well as the sander. Always empty the dust collector before taking breaks.** In unfavourable conditions, e. g., when sparks emit from sanding metals, sanding debris in the dust bag, micro filter or paper sack (or in the filter sack or filter of the vacuum cleaner) can self-ignite. Particularly when mixed with remainders of varnish, polyurethane or other chemical materials and when the sanding debris is hot after long periods of working.
- ▶ **When working with the machine, always hold it firmly with both hands and provide for a secure stance.** The power tool is guided more secure with both hands.

16 | English

- ▶ **Secure the workpiece.** A workpiece clamped with clamping devices or in a vice is held more secure than by hand.
- ▶ **Keep your workplace clean.** Blends of materials are particularly dangerous. Dust from light alloys can burn or explode.
- ▶ **Always wait until the machine has come to a complete stop before placing it down.** The tool insert can jam and lead to loss of control over the power tool.
- ▶ **Never use the machine with a damaged cable. Do not touch the damaged cable and pull the mains plug when the cable is damaged while working.** Damaged cables increase the risk of an electric shock.

Products sold in GB only: Your product is fitted with an BS 1363/A approved electric plug with internal fuse (ASTA approved to BS 1362). If the plug is not suitable for your socket outlets, it should be cut off and an appropriate plug fitted in its place by an authorised customer service agent. The replacement plug should have the same fuse rating as the original plug. The severed plug must be disposed of to avoid a possible shock hazard and should never be inserted into a mains socket elsewhere.

Products sold in AUS and NZ only: Use a residual current device (RCD) with a rated residual current of 30 mA or less.

Functional Description



Read all safety warnings and all instructions. Failure to follow the warnings and instructions may result in electric shock, fire and/or serious injury.

While reading the operating instructions, unfold the graphics page for the machine and leave it open.

Intended Use

The machine is intended for dry sanding—with high removal capacity—of wood, plastic, metal, filler as well as varnished surfaces.

Product Features

The numbering of the product features refers to the illustration of the machine on the graphics page.

- 1 Auxiliary handle (insulated gripping surface)
- 2 Sanding belt*
- 3 Clamping lever for sanding belt
- 4 Thumbwheel for belt speed preselection
- 5 On/Off switch
- 6 Lock-on button for On/Off switch
- 7 Dust bag
- 8 Handle (insulated gripping surface)
- 9 Adjustment knob for belt run
- 10 Extraction outlet
- 11 Protection cover
- 12 Dust passage
- 13 Graphite plate*
- 14 Guide plate

***Accessories shown or described are not part of the standard delivery scope of the product. A complete overview of accessories can be found in our accessories program.**

Technical Data

Belt Sander		GBS 75 AE Professional
Article number		0 601 274 7..
Rated power input	W	750
Output power	W	410
No-load belt speed	m/min	200 – 330
Sanding belt length	mm	533
Sanding belt width	mm	75
Belt speed preselection		●
Connection for internal/external dust extraction		●
Weight according to EPTA-Procedure 01/2003	kg	3.4
Protection class		□/II

The values given are valid for nominal voltages [U] of 230/240 V. For lower voltage and models for specific countries, these values can vary.

Please observe the article number on the type plate of your machine. The trade names of the individual machines may vary.

Noise/Vibration Information

Measured sound values determined according to EN 60745.

Typically the A-weighted noise levels of the product are: Sound pressure level 85 dB(A); Sound power level 96 dB(A). Uncertainty K=3 dB.

Wear hearing protection!

Vibration total values (triax vector sum) determined according to EN 60745:

Vibration emission value $a_h = 3 \text{ m/s}^2$, Uncertainty $K = 1.5 \text{ m/s}^2$.

The vibration emission level given in this information sheet has been measured in accordance with a standardised test given in EN 60745 and may be used to compare one tool with another. It may be used for a preliminary assessment of exposure.

The declared vibration emission level represents the main applications of the tool. However if the tool is used for different applications, with different accessories or poorly maintained, the vibration emission may differ. This may significantly increase the exposure level over the total working period.

An estimation of the level of exposure to vibration should also take into account the times when the tool is switched off or when it is running but not actually doing the job. This may significantly reduce the exposure level over the total working period.

Identify additional safety measures to protect the operator from the effects of vibration such as: maintain the tool and the accessories, keep the hands warm, organisation of work patterns.

Declaration of Conformity 

We declare under our sole responsibility that the product described under "Technical Data" is in conformity with the following standards or standardization documents: EN 60745 according to the provisions of the directives 2004/108/EC, 2006/42/EC.

Technical file at:

Robert Bosch GmbH, PT/ESC,
D-70745 Leinfelden-Echterdingen

Dr. Egbert Schneider Dr. Eckerhard Strötgen
Senior Vice President Head of Product
Engineering Certification



Robert Bosch GmbH, Power Tools Division
D-70745 Leinfelden-Echterdingen
25.11.2009

Assembly

- ▶ **Before any work on the machine itself, pull the mains plug.**

Dust/Chip Extraction

- ▶ Dusts from materials such as lead-containing coatings, some wood types, minerals and metal can be harmful to one's health. Touching or breathing-in the dusts can cause allergic reactions and/or lead to respiratory infections of the user or bystanders. Certain dusts, such as oak or beech dust, are considered as carcinogenic, especially in connection with wood-treatment additives (chromate, wood preservative). Materials containing asbestos may only be worked by specialists.
 - Use dust extraction whenever possible.
 - Provide for good ventilation of the working place.
 - It is recommended to wear a P2 filter-class respirator.

Observe the relevant regulations in your country for the materials to be worked.

External Dust Extraction

Insert a vacuum hose onto the extraction outlet **10**. Connect the vacuum hose to a vacuum cleaner. See the overview for connecting to various vacuum cleaners at the end of these operating instructions.

The vacuum cleaner must be suitable for the material being worked.

When vacuuming dry dust that is especially detrimental to health or carcinogenic, use a special vacuum cleaner.

Integrated Dust Extraction with Dust Bag

For small sanding jobs, a dust bag **7** (accessory) can be connected. Attach the sleeve of the dust bag firmly onto the outlet piece **10**. To maintain optimum dust collection, empty the dust bag **7** in good time.

Changing the Sanding Belt (see figure A)

- Completely pivot out the clamping lever **3**. The sanding belt **2** is now loose and can be removed.
- Mount the new sanding belt **2**. Pay attention that the direction of the arrows on the inside of the sanding belt correspond with the arrow direction on the machine housing.
- Pivot the clamping lever **3** back to its initial position.
- Pick up the power tool and switch it on. Adjust the belt run with adjustment knob **9** until the edge of the sanding belt runs flush with the guide plate **14**.

Pay attention that the sanding belt **2** does not move excessively and make contact with the housing. Check the belt run regularly and readjust with the adjustment knob **9**.

Selecting the Sanding Belt

Depending on the material to be worked and the required rate of removal, different sanding belts are available:

		Grain size
red:Wood		40–240
For the working of all wooden materials		
For coarse-sanding, e. g. of rough, unplaned beams and boards		
	coarse	40, 60
For face sanding and planing small irregularities		
	medium	80, 100, 120
For finish and fine sanding of hard woods		
	fine	180, 240

Operation

Starting Operation

- **Observe correct mains voltage! The voltage of the power source must agree with the voltage specified on the nameplate of the machine. Power tools marked with 230 V can also be operated with 220 V.**

Switching On and Off

To **start** the machine, press the On/Off switch **5** and keep it pressed.

To lock the **pressed** On/Off switch **5**, press the lock-on button **6**.

To **switch off** the machine, release the On/Off switch **5** or when it is locked with the lock-on button **6**, briefly press the On/Off switch **5** and then release it.

Preselecting the Belt Speed

The necessary belt speed can be preselected with the thumbwheel **4**, even during operation.

The required belt speed depends on the material being sanded and on the working conditions, and can be determined by practical testing.

Working Advice

The sanding removal rate and the surface quality are mainly determined by the selection of the sanding belt as well as by the preselected belt speed. The higher the belt speed, the more material is removed and the finer the sanded surface.

Only flawless sanding belts achieve good sanding capacity and make the machine last longer.

Work using the least possible sanding pressure in order to increase the service life of the sanding belts. The machine's own weight is sufficient for a good sanding performance. An excessive increase of the sanding pressure does not lead to an increase of the sanding capacity, but to increased wear of the machine and the sanding belt.

Apply the machine to the workpiece only when switched on. Work with moderate feed and carry out the sanding with parallel and overlapping strokes. Sand in the direction of the grain; sanding across the grain produces an uneven sanding effect.

Particularly when sanding coats of varnish, sand in the direction of the grain as the varnish could melt and smear the surface of the workpiece and the sanding belt. Therefore, work with dust extraction.

A sanding belt used for sanding metal should not be used for other materials.

Use only original Bosch sanding accessories.

Store sanding belts only hanging; avoid creasing, as this makes the belts unusable.

The sanding frame (accessory) allows for uniform and controllable removal capacity when surface grinding larger wooden surfaces.

Maintenance and Service

Maintenance and Cleaning

- **Before any work on the machine itself, pull the mains plug.**
- **For safe and proper working, always keep the machine and ventilation slots clean.**

Remove adherent sanding dust with a brush.

Cleaning the Dust Passage (see figure B)

From time to time, remove the protection cover **11** and clean the dust passage **12** so that the suction capacity remains at an optimum level.

Changing the Graphite Plate (Accessory) (see figure C)

The graphite plate **13** (accessory) is screwed on to the guide plate **14** and enables an optimum sanding pattern.

20 | English

The graphite plate **13** is subject to wear, depending on the intensity of usage. To change the graphite plate **13**, remove the sanding belt **2**. Unscrew the graphite plate **13** and replace it. After mounting the sanding belt, adjust the belt run as described in section “Changing the Sanding Belt” on page 18.

If the machine should fail despite the care taken in manufacturing and testing procedures, repair should be carried out by an after-sales service centre for Bosch power tools.

In all correspondence and spare parts order, please always include the 10-digit article number given on the type plate of the machine.

After-sales Service and Customer Assistance

Our after-sales service responds to your questions concerning maintenance and repair of your product as well as spare parts. Exploded views and information on spare parts can also be found under:

www.bosch-pt.com

Our customer service representatives can answer your questions concerning possible applications and adjustment of products and accessories.

Great Britain

Robert Bosch Ltd. (B.S.C.)
P.O. Box 98
Broadwater Park
North Orbital Road
Denham
Uxbridge
UB 9 5HJ
Tel. Service: +44 (0844) 736 0109
Fax: +44 (0844) 736 0146
E-Mail: boschservicecentre@bosch.com

Ireland

Origo Ltd.
Unit 23 Magna Drive
Magna Business Park
City West
Dublin 24
Tel. Service: +353 (01) 4 66 67 00
Fax: +353 (01) 4 66 68 88

Australia, New Zealand and Pacific Islands

Robert Bosch Australia Pty. Ltd.
Power Tools
Locked Bag 66
Clayton South VIC 3169
Customer Contact Center
Inside Australia:
Phone: +61 (01300) 307 044
Fax: +61 (01300) 307 045
Inside New Zealand:
Phone: +64 (0800) 543 353
Fax: +64 (0800) 428 570
Outside AU and NZ:
Phone: +61 (03) 9541 5555
www.bosch.com.au

Republic of South Africa**Customer service**

Hotline: +27 (011) 6 51 96 00

Gauteng – BSC Service Centre

35 Roper Street, New Centre
Johannesburg
Tel.: +27 (011) 4 93 93 75
Fax: +27 (011) 4 93 01 26
E-Mail: bsctools@icon.co.za

KZN – BSC Service Centre

Unit E, Almar Centre
143 Crompton Street
Pinetown
Tel.: +27 (031) 7 01 21 20
Fax: +27 (031) 7 01 24 46
E-Mail: bsc.dur@za.bosch.com

Western Cape – BSC Service Centre

Democracy Way, Prosperity Park
Milnerton
Tel.: +27 (021) 5 51 25 77
Fax: +27 (021) 5 51 32 23
E-Mail: bsc@zsd.co.za

Bosch Headquarters

Midrand, Gauteng
Tel.: +27 (011) 6 51 96 00
Fax: +27 (011) 6 51 98 80
E-Mail: rbsa-hq.pts@za.bosch.com

Disposal

The machine, accessories and packaging should be sorted for environmental-friendly recycling.

Only for EC countries:



Do not dispose of power tools into household waste!
According to the European Guideline 2002/96/EC for Waste Electrical and Electronic Equipment and its implementation into national law, power tools that are no longer usable must be collected separately and disposed of in an environmentally correct manner.

Subject to change without notice.